



# CORPORATE&PRODUCTS

# Key company features

- Founded in **1944** in Olginate on the Como lake.
- **75 years** of experience.
- We design, develop, and manufacture **high quality lighting components**, which deliver superior performance and economics to our customers.
- The mix of our know-how and our innovation brought to the development of **new product lines**, maintaining meanwhile the focus on our **core business**.
- Our products are certified according to the main European, Asian, and American standards and our company complies with **UNI EN ISO 9001:2015 and EN ISO 14001:2015 standard**.
- Our products bear the **“MADE IN ITALY”** trademark which is recognized as an asset all over the world.



# Company numbers

- **230** employees in 2022
- **36.000 m<sup>2</sup>** operating surface
- **80 countries** – worldwide presence
  - AAG Stucchi North America
  - AAG Stucchi Hong Kong
  - AAG Stucchi Shanghai
- **6 product families:** track lighting systems for 220v and 48v, aluminum for the lighting field, connections, LED lighting components, traditional lighting components.

**40 Million euros yearly revenue.**  
**70% export market.**

**MADE IN ITALY**



# A.A.G. STUCCHI ACQUIRES EUTRAC

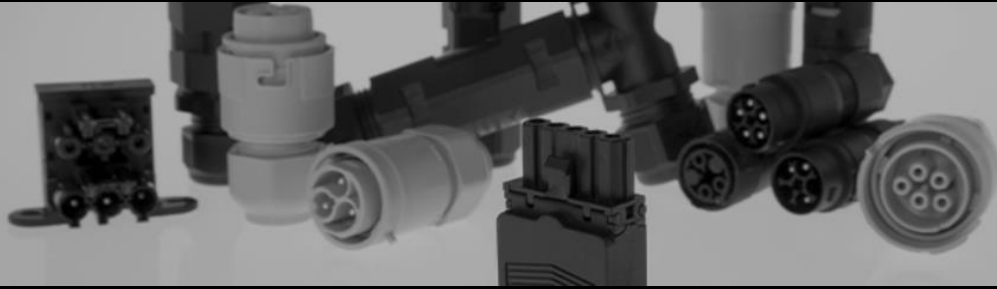
On 18th of May 2021 A.A.G. Stucchi has acquired 100% of Eutrac Stromschiene GmbH part of the Selux Group till now and from today part of Stucchi family.

Eutrac is leader in development, production and sales of track lighting worldwide, with a very strong presence in Europe and a well-established leadership in DACH markets.

The acquisition is an essential step of our business strategy which aims to become market leader in the track lighting industry.



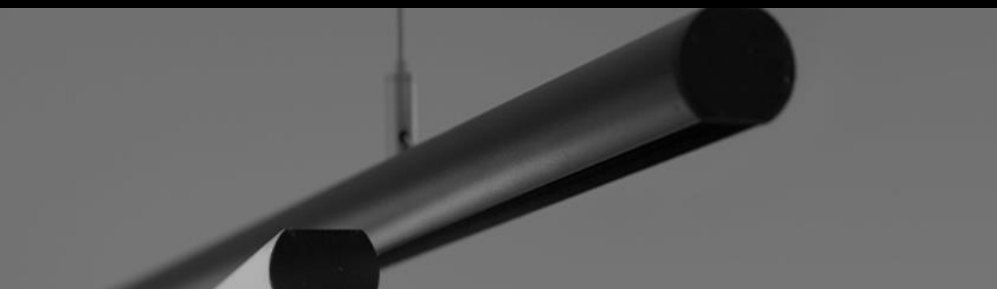
# A.A.G. PRODUCTS FAMILIES



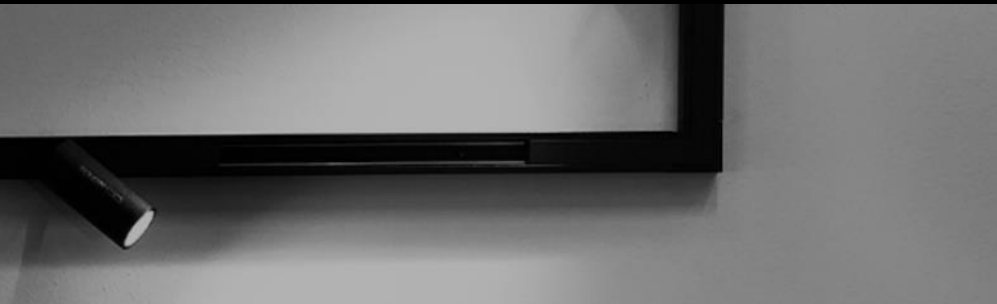
LED LIGHTING COMPONENTS



**ONETRACK**  
FOR ALL YOUR LIGHTING IDEAS

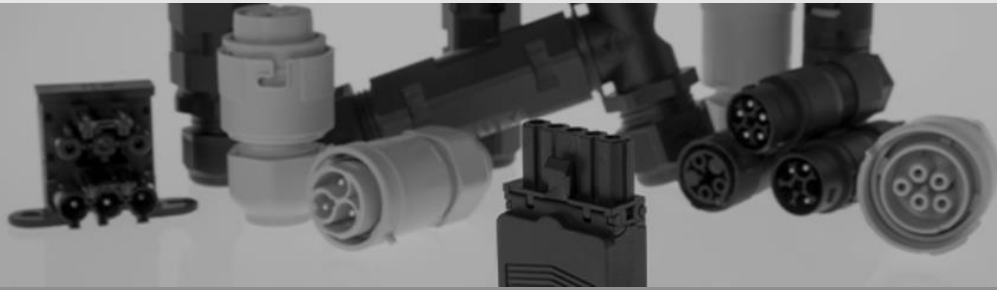


**MULTISYSTEM EVO**  
AN EVOLUTION TO SIMPLICITY



**MICRO**  
WHEN SMALL MATTERS

# A.A.G. PRODUCTS FAMILIES



LED LIGHTING COMPONENTS



ONETRACK  
FOR ALL YOUR LIGHTING IDEAS



MULTISYSTEM EVO  
AN EVOLUTION TO SIMPLICITY



MICRO  
WHEN SMALL MATTERS

Connectors and terminal blocks, still a strategic family in the LED lighting field completed by the current acquisition of EPC range.



# COMPONENTS

**TRADITIONAL LAMPHOLDERS:** the historical product family, still an important part of the production.



**LED COMPONENTS:** holders for LED Modules, holders for COB LEDs, lampholders for LED linear lamps and stick LEDs.

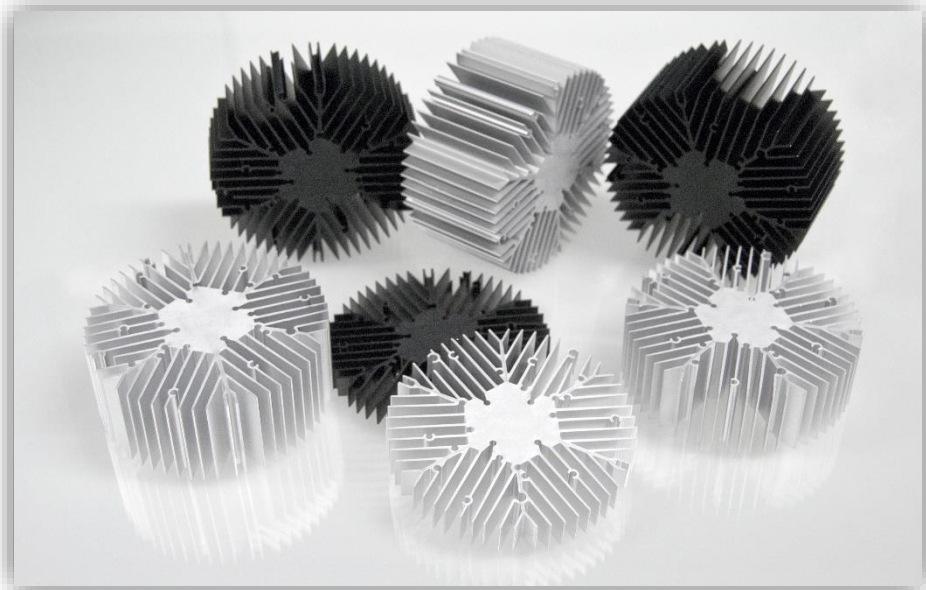




# ALUMINUM FOR THE LIGHTING FIELD

Thermal Management is an important know how of the company that offers a full range of heat sinks (CRYSTAL) but can also develop custom products. At the same time LUMIAL range is meant to bring the use of aluminum into illumination engineering at the highest levels of service and quality as only A.A.G. Stucchi can do.

## CRYSTAL HEAT SINKS



## LUMIAL EXTRUSIONS FOR LIGHTING

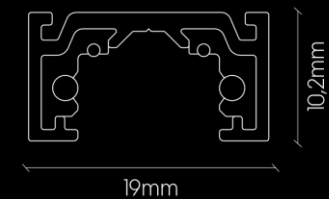
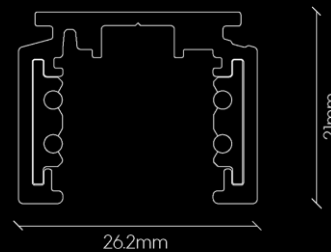
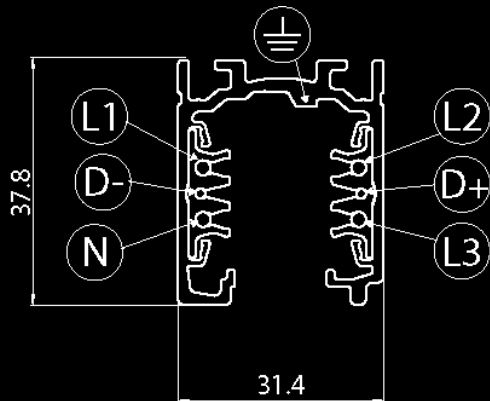


# A.A.G. STUCCHI TRACKS FAMILIES

**ONETRACK**  
FOR ALL YOUR LIGHTING IDEAS

**MULTISYSTEM EVO**  
AN EVOLUTION TO SIMPLICITY

**MICRO**  
WHEN SMALL MATTERS





Round  
9000-.../...-ST15



Recessed  
9000-.../...-R



Trimless  
9000-.../...-TR



Standard  
9000-.../...-ST



Double  
emission H  
reverse  
9000-.../...-H



Double  
emission H  
standard  
9000-.../...-H

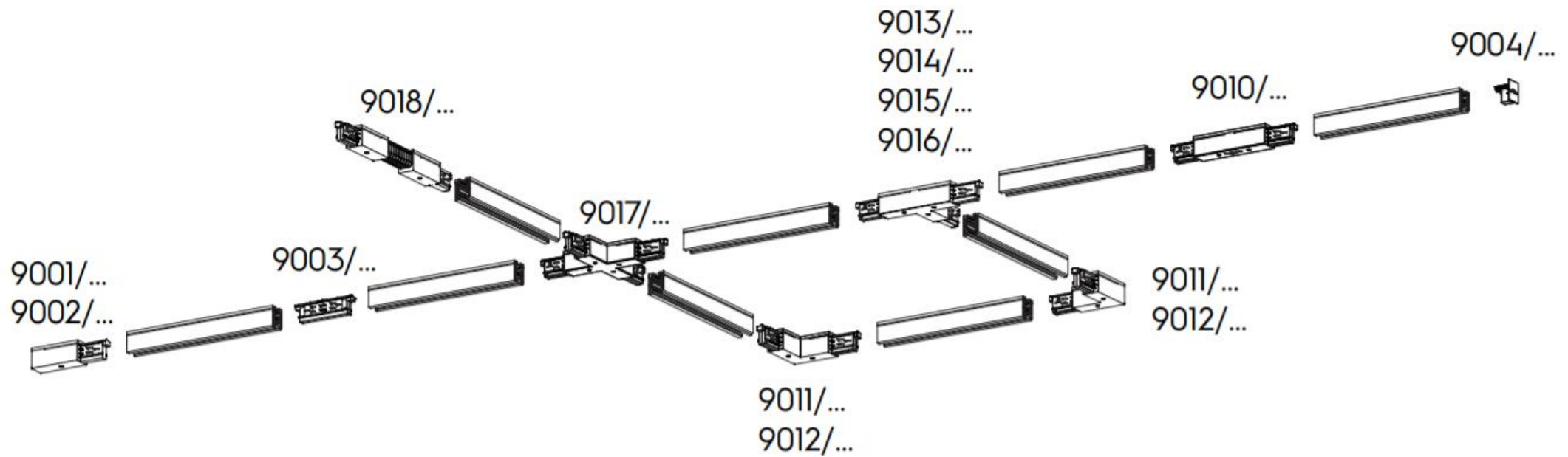
# ONETRACK THREE-PHASE TRACK + CONTROL SYSTEM

Availability of standard, recessed, trimless and H tracks. Full range of adapters, accessories and connections to create complete lighting projects.

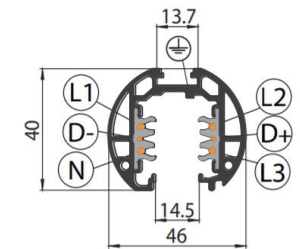


# ONETRACK

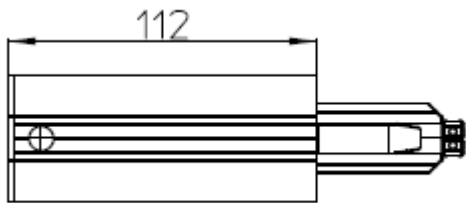
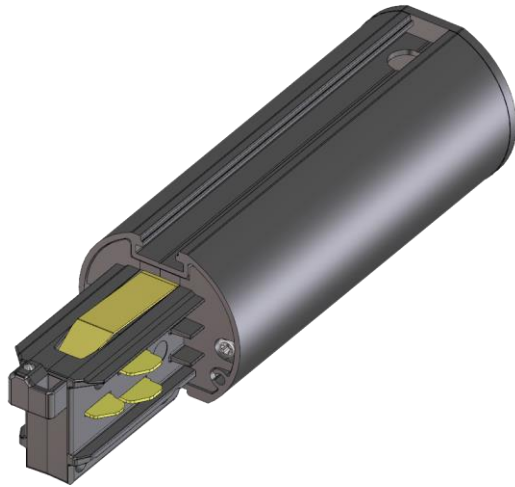
a complete solution



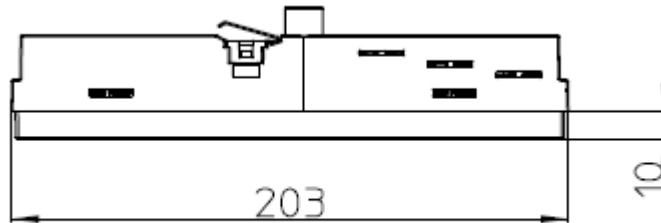
# NEW ROUND TRACK 9000-.../...-ST15 + L, T, X joint



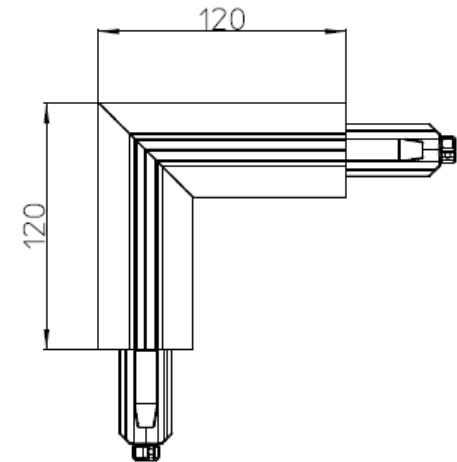
9001-ST15 \_ END-FEED



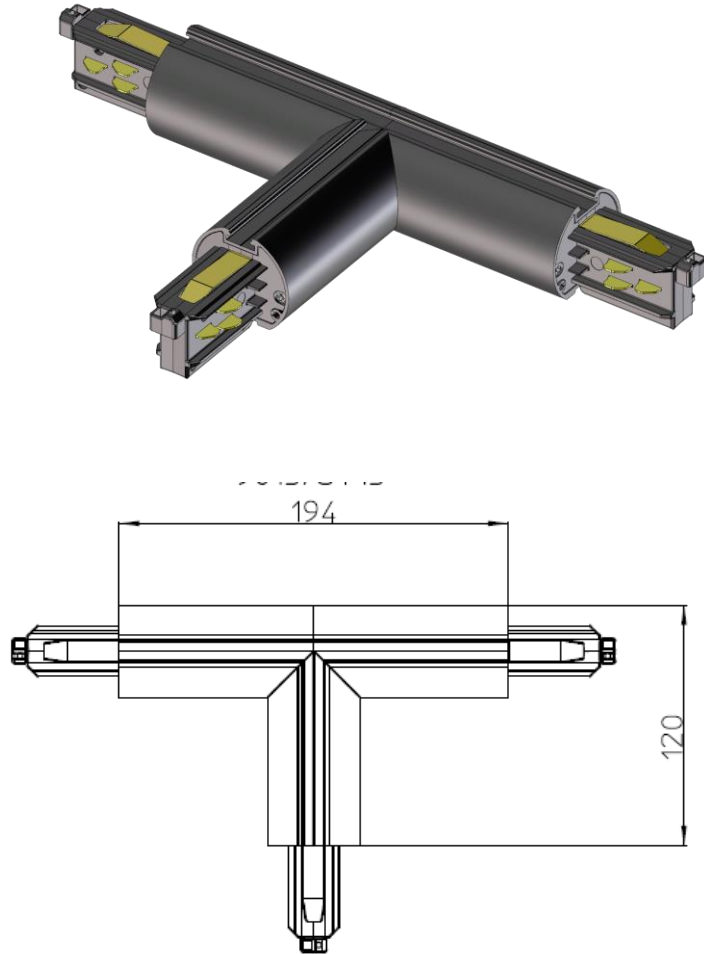
9001-MF \_ MIDDLE END-FEED



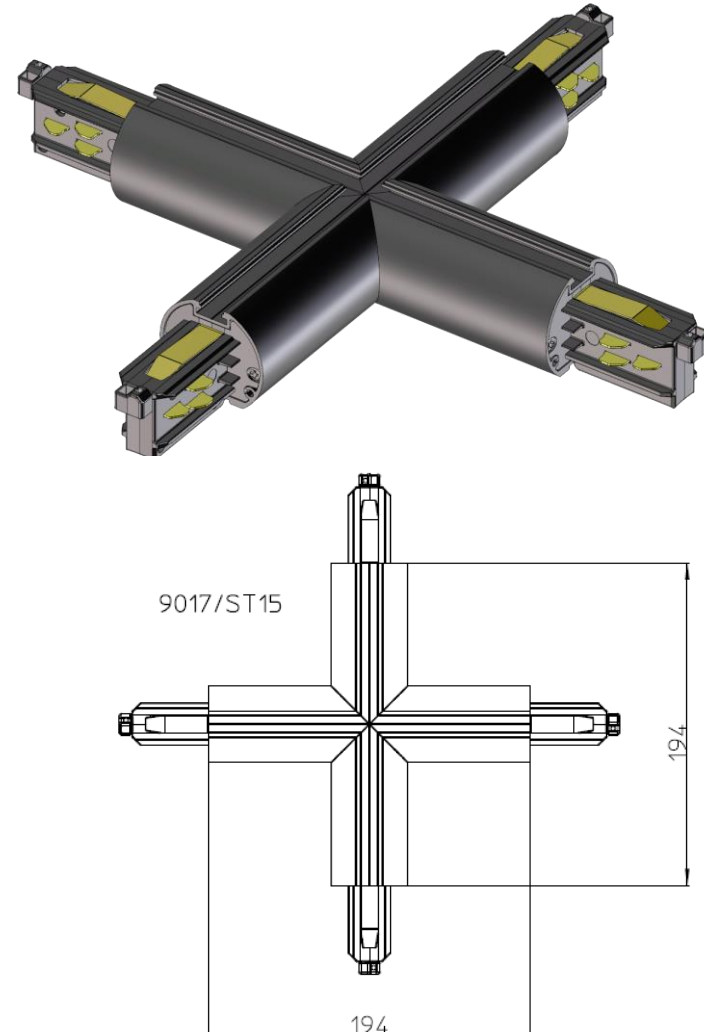
9011-ST15 \_ L-FEED



9013-ST15 \_ T-FEED



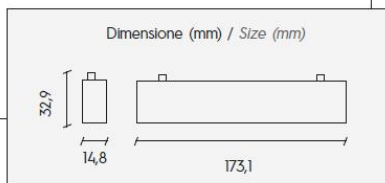
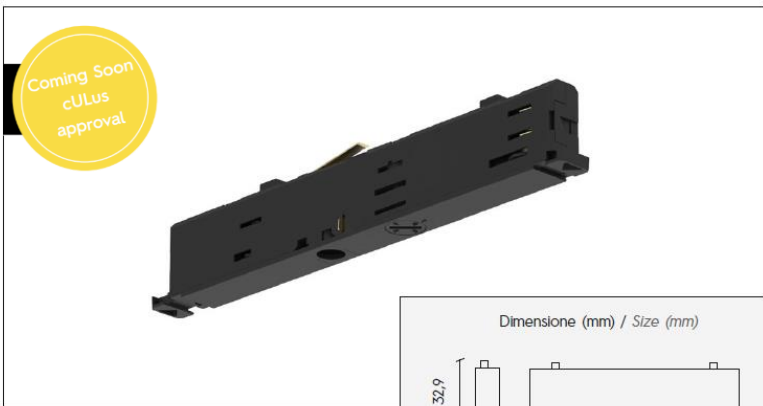
9017-ST15 \_ X-FEED





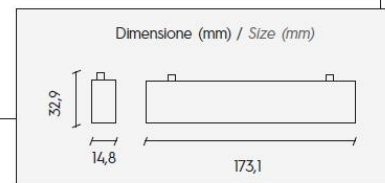
# ONETRACK 9999 – new concealed adapters

**9999/...**  
Mechanical  
adapter ON-  
OFF + DALI



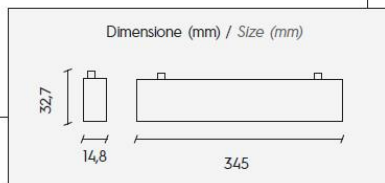
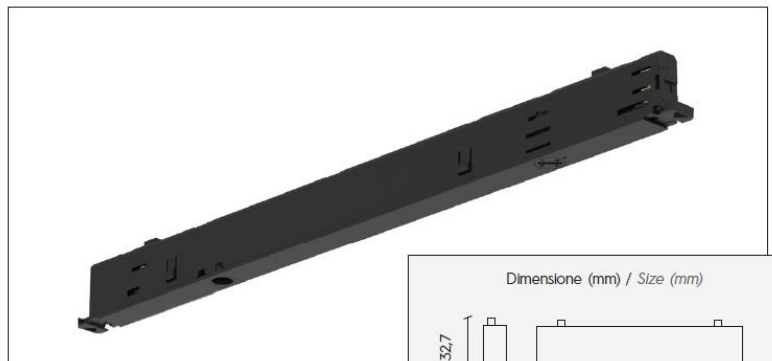
Corrente e tensione nominale (ingresso):  
Rated current and voltage (input):  
4A-250V 1A-50V ac FELV

**9999-4/...**  
Mechanical adapter  
ON-OFF



Corrente e tensione nominale (ingresso):  
Rated current and voltage (input):  
4A-250V

**9999-DRI/...**  
Adapter with  
integrated DALI  
driver



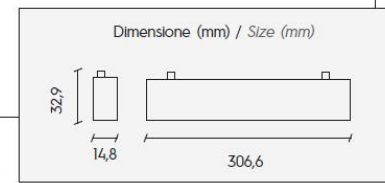
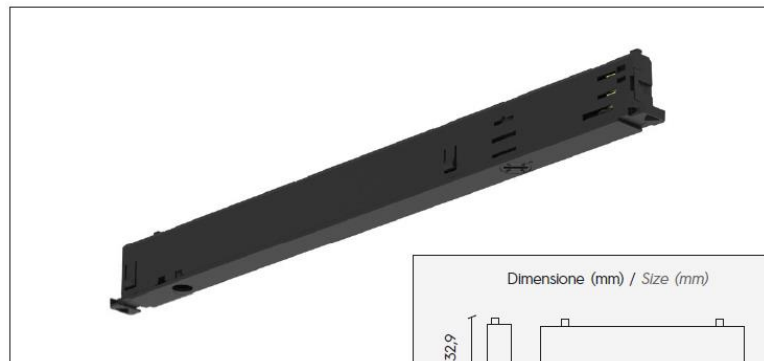
Corrente e tensione nominale (ingresso):  
Rated current and voltage (input):  
0,2A-220/240Vac; 1A-50V ac FELV

Tensione max. (uscita): / Max. voltage (output):  
59V dc (SELV)

Driver integrato fornito da TCI compatibile IEC 62386  
IEC 62386 compatible integrated driver provided by TCI

Potenze/correnti selezionabili mediante dipswitch (16 combinazioni):  
Available Power/voltage through dipswitch selection (16 combinations):

**9999-4-DRI/...**  
Adapter with  
integrated ON-OFF  
driver



Corrente e tensione nominale (ingresso):  
Rated current and voltage (input):  
0,2A-220/240Vac

Tensione max. (uscita): / Max. voltage (output):  
59V dc (SELV)

Driver integrato fornito da TCI  
Integrated driver provided by TCI

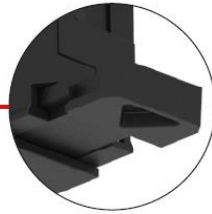
Potenze/correnti selezionabili mediante dipswitch (16 combinazioni):  
Available Power/voltage through dipswitch selection (16 combinations):

# ONETRACK

## 9999 – new concealed adapters

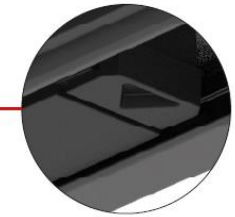
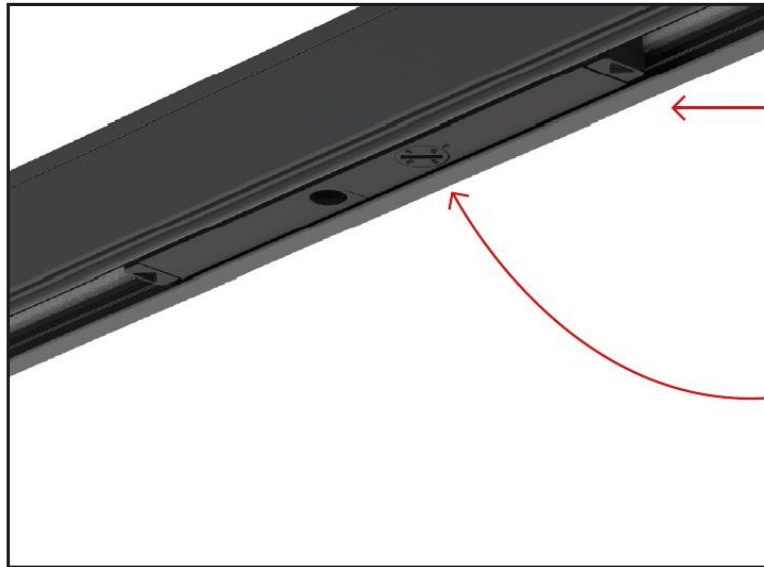
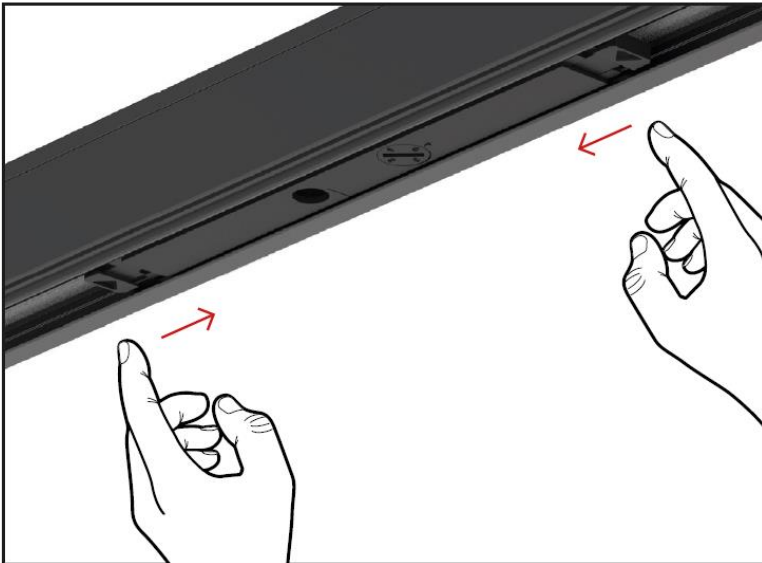


# ONETRACK 9999 – new concealed adapters

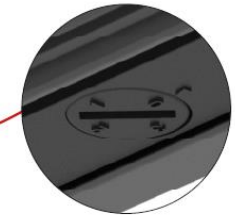


Open locking system

NO TOOLS



Closed locking system



Phase selector

# LIGHT INSIDE ONETRACK



# LIGHT INSIDE ONETRACK

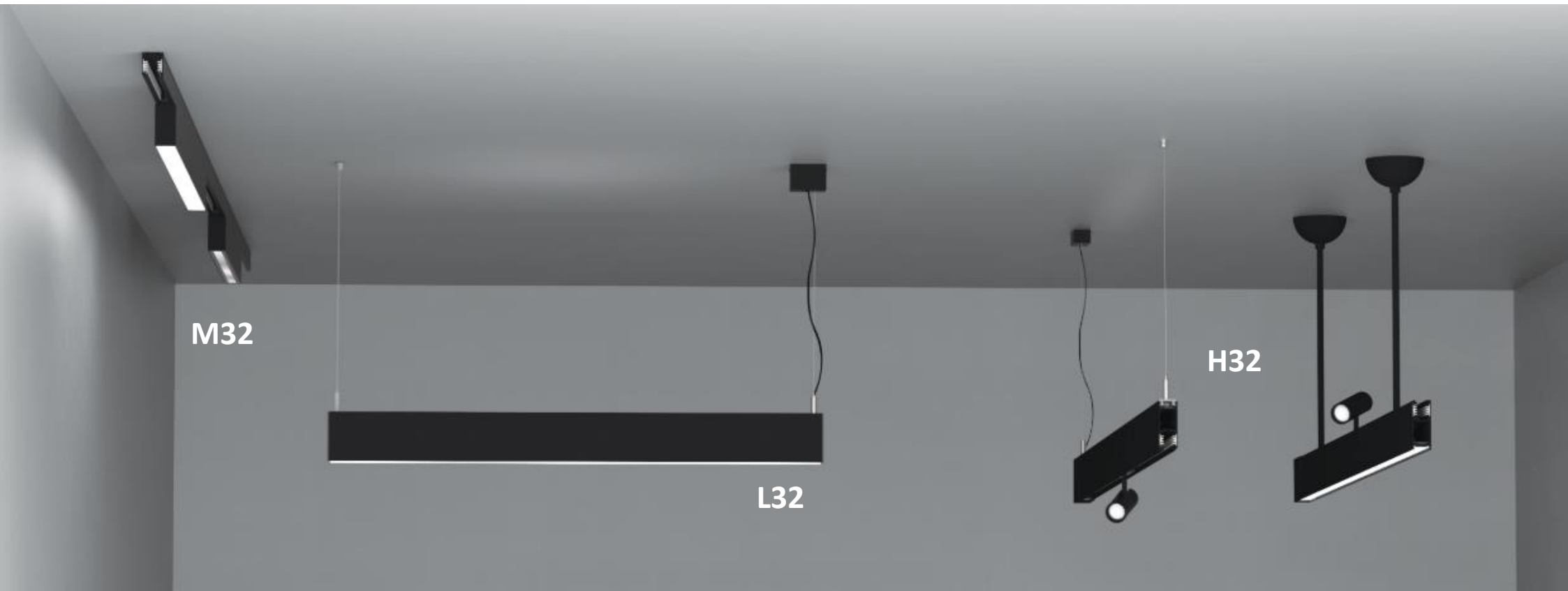
A.A.G. Stucchi offers different solutions to make linear light possible inside ONETRACK® system:

**MODULINE ONTRACK:** “ready to use” linear light modules that are easy and fast to install inside tracks thanks to the specific adapter that guarantees safe electrical connection. The special caps ensure maximum safety in installation.

**MODULINE ONTRACK** is available as “ready to use” lighting modules but also as a system of mechanical components to be assembled and customized in lighting fixtures.

**H32:** DOWNLIGHT and UPLIGHT linear light system for double emission track, suitable for in row use.

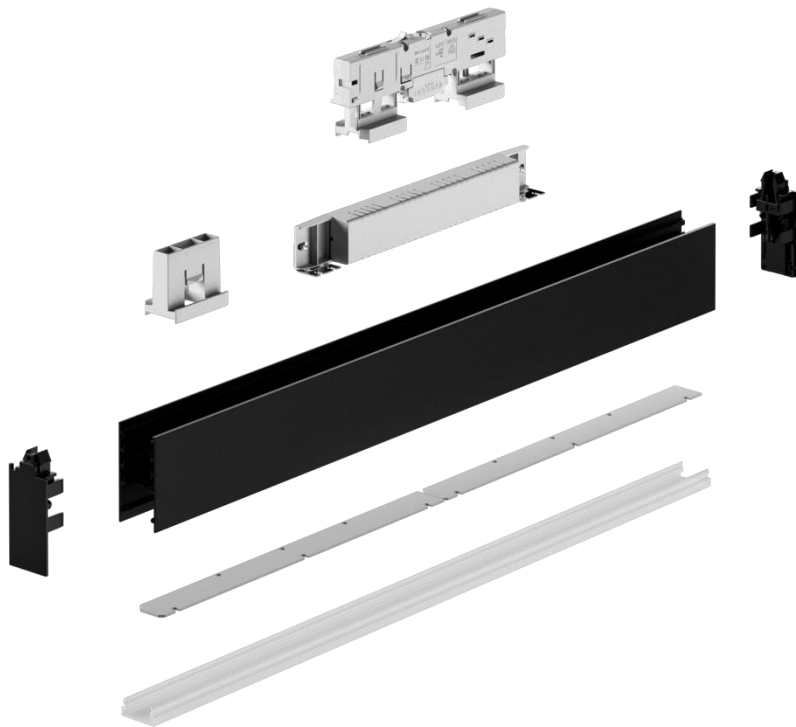
**L32:** A linear lighting standalone system with the same approach in terms of modularity, flexibility and available versions, to be suitable to all lighting projects.



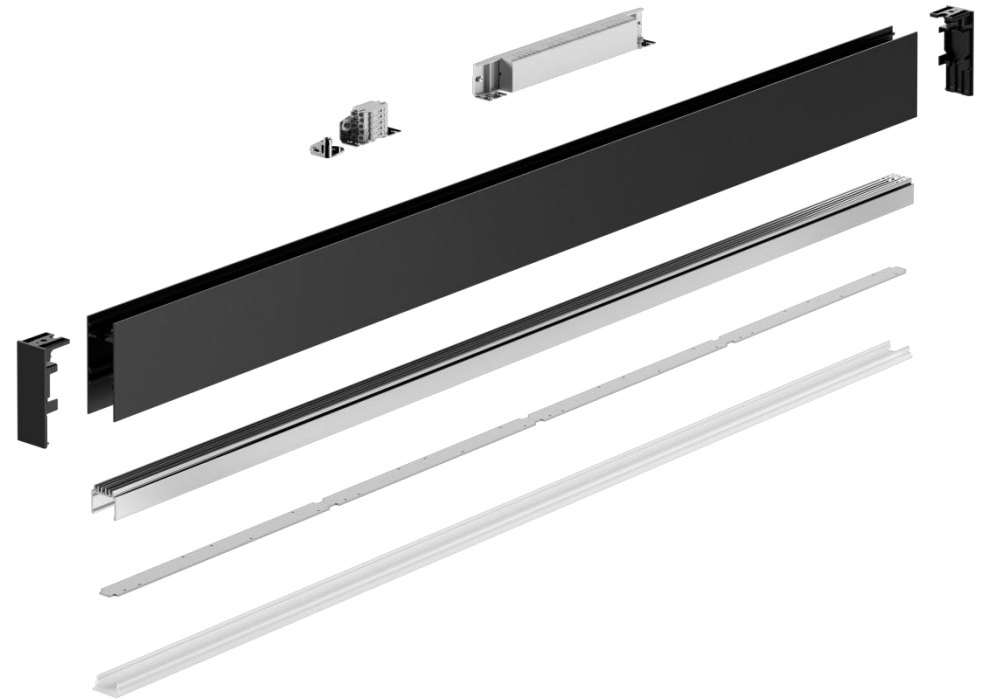
# LIGHT INSIDE ONETRACK MODULE

MODULE ONTRACK: “ready to use” linear light modules that are easy and fast to install inside tracks thanks to the specific adapter that guarantees safe electrical connection. The special caps ensure maximum safety in installation. MODULE is available also in STANDALONE version.

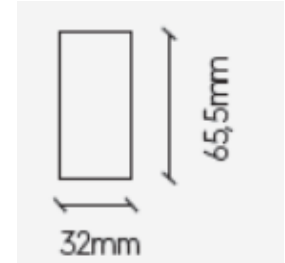
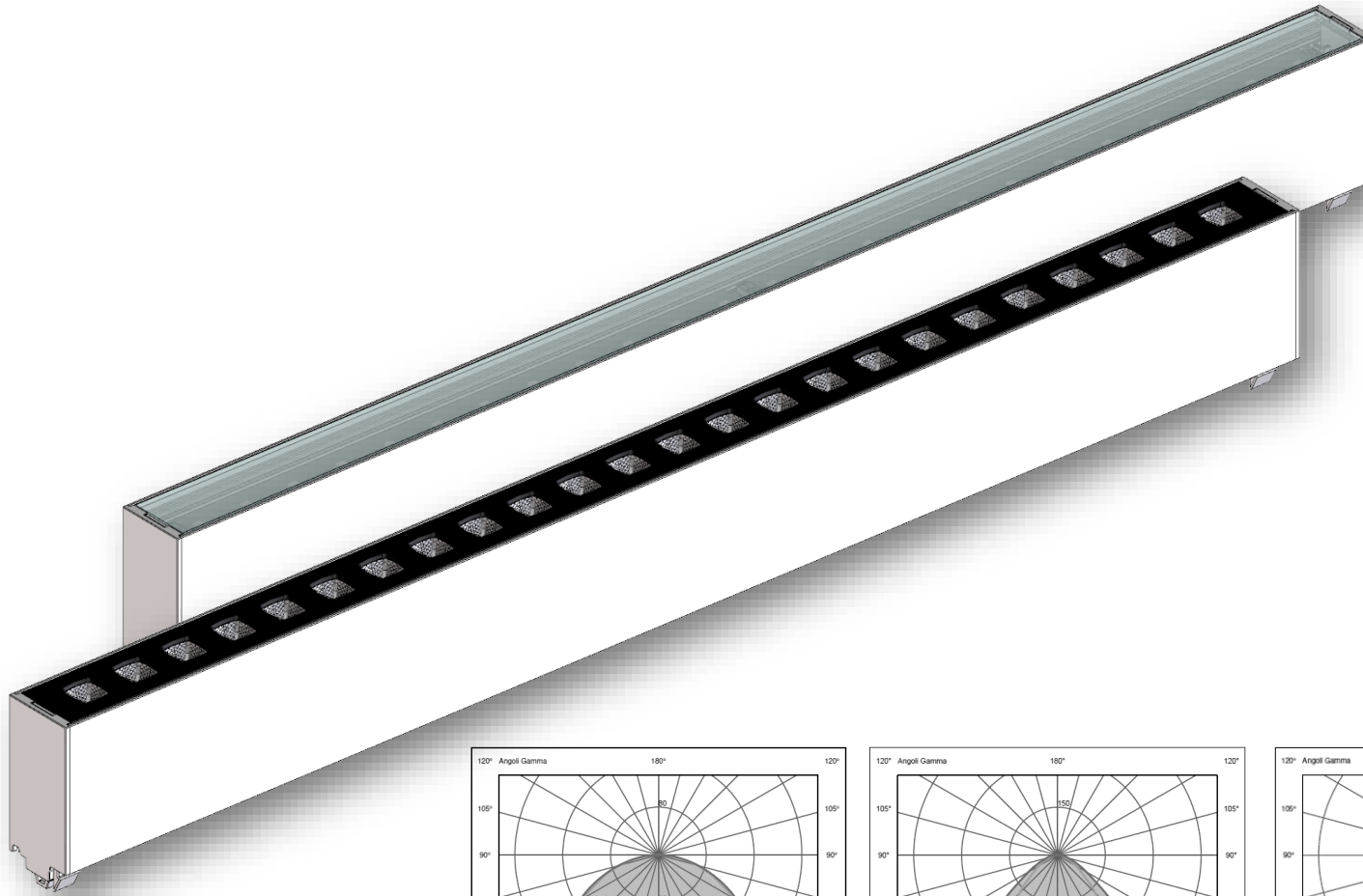
## MODULE ONTRACK M32



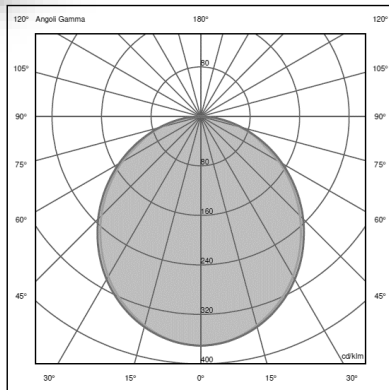
## MODULE STANDALONE L32



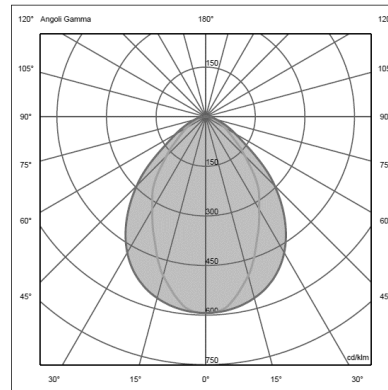
# MODULINE - M32/L32 SCREENS & OPTICS



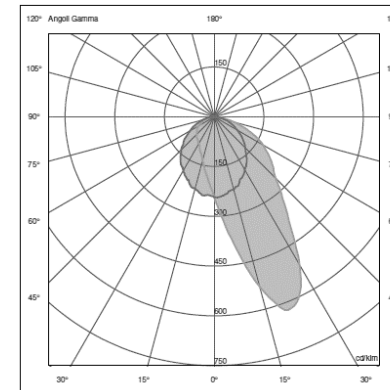
**CRI>90-95**  
**LED CREE**  
**Tc: 3000K**  
**DRIVER: ON-OFF; 1-10; DALI**  
**COLOR: RAL9005 (B) - RAL9010 (W)**



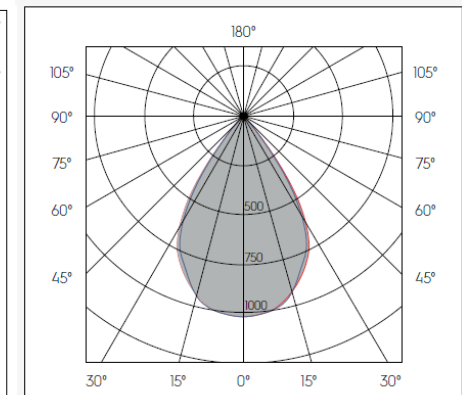
**OPAL + RECUP FLUSSO**



**MICRO PRISMATIC**



**WALL WASHER**



**UGR<19**

# LIGHT INSIDE ONETRACK H32 - UP LIGHT & DOWN LIGHT SYSTEM





# LIGHT INSIDE ONETRACK H32 - UP LIGHT & DOWN LIGHT SYSTEM

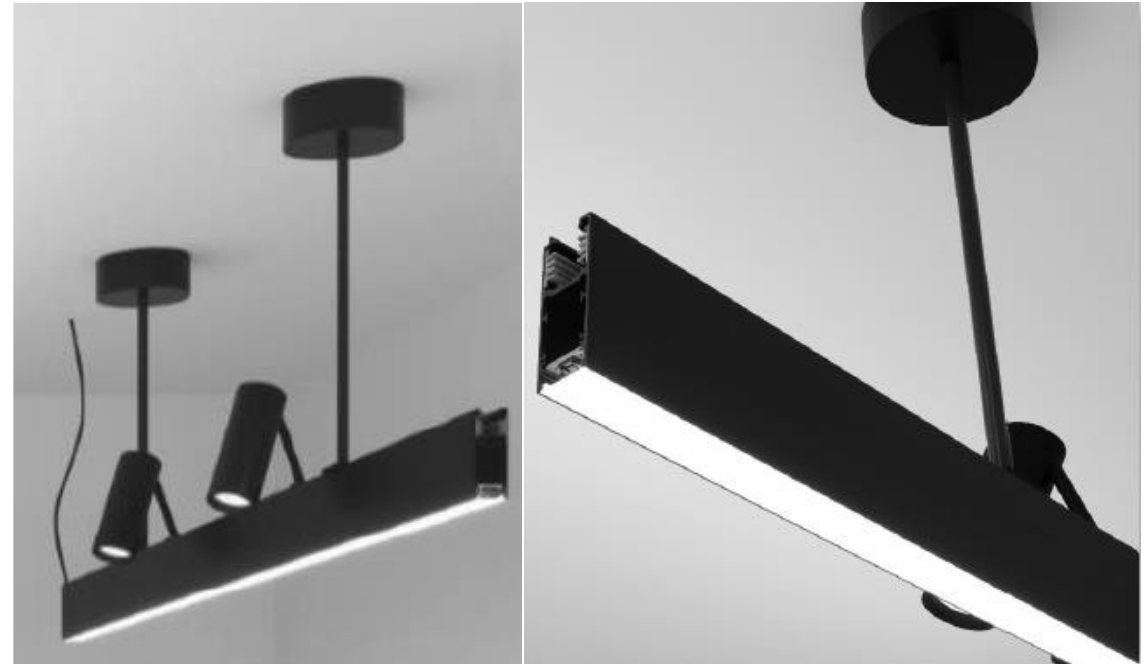
**UP LIGHT**



**DOWN LIGHT**



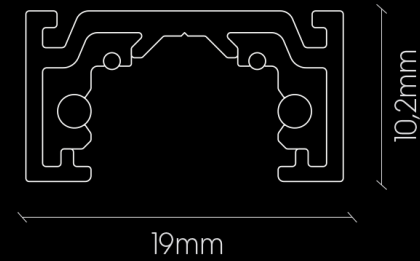
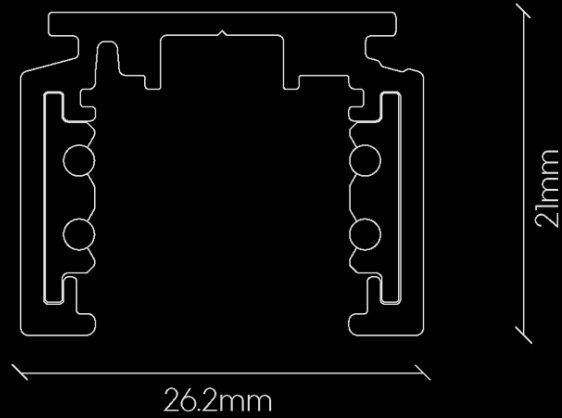
UP: diffuse light – opal screen  
DOWN: track



UP: track  
DOWN: diffuse light – opal screen

# A.A.G. PRODUCTS FAMILIES

**MULTISYSTEM EVO**  
AN EVOLUTION TO SIMPLICITY



**MICRO**  
WHEN SMALL MATTERS

# 48V Range – Why low voltage?

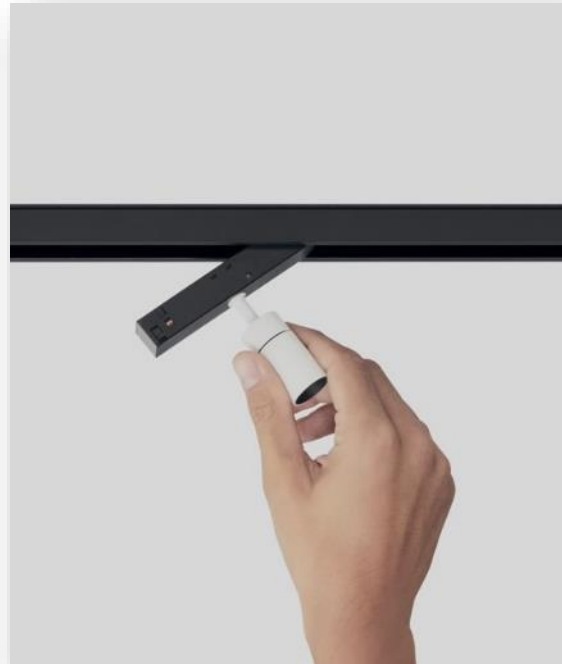
## AESTHETIC ASPECT:

low voltage products are very small in size and have an iconic look.



## FUNCTIONAL ASPECT:

low voltage fixture can be moved very easily.  
No technical action/specialist is required.



## SECURITY ASPECT:

low voltage tracks can be used in applications where lighting fixtures are accessible to people (for example windows, walls) without any risk.



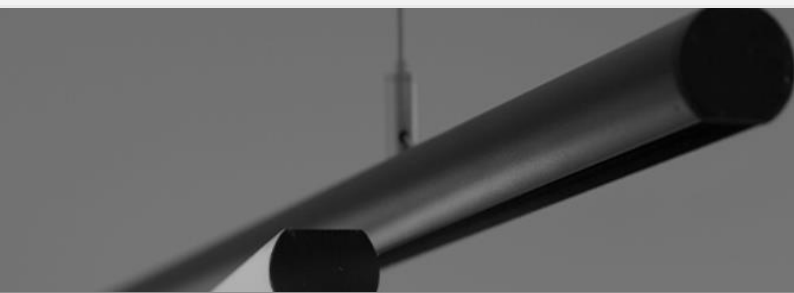
# A.A.G. PRODUCTS FAMILIES



LED LIGHTING COMPONENTS



ONETRACK  
FOR ALL YOUR LIGHTING IDEAS



**MULTISYSTEM EVO**  
AN EVOLUTION TO SIMPLICITY



MICRO  
WHEN SMALL MATTERS

# MULTISYSTEM EVO

PATENT  
 PENDING

eLus  
 APPROVED



**FINITURA**  
 FINISHING

GOFFRATO / EMBOSSED

ST1 ST2 ST6 ST7 ST8 ST9 ST15

ANODIZZATO NERO - VERNICIATO BIANCO / BLACK ANODIZED - WHITE PAINTED

ST3 ST5 ST10 ST13 ST14

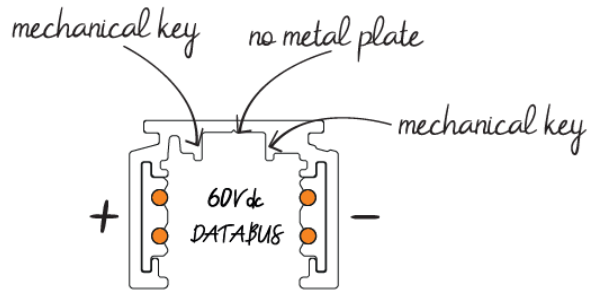
**CODICI PRODOTTO**  
 PRODUCT CODES

9500 --- [ 1 (m) / 2 (m) / 3 (m) ] / [ W2 (bianco/white) / B (nero/black) ] --- [ ST1 / ST2 / ST3 / ST5 / ST6 / ST7 / ST8 / ST9 / ST13 / ST14 / ST15 / ST10 ]

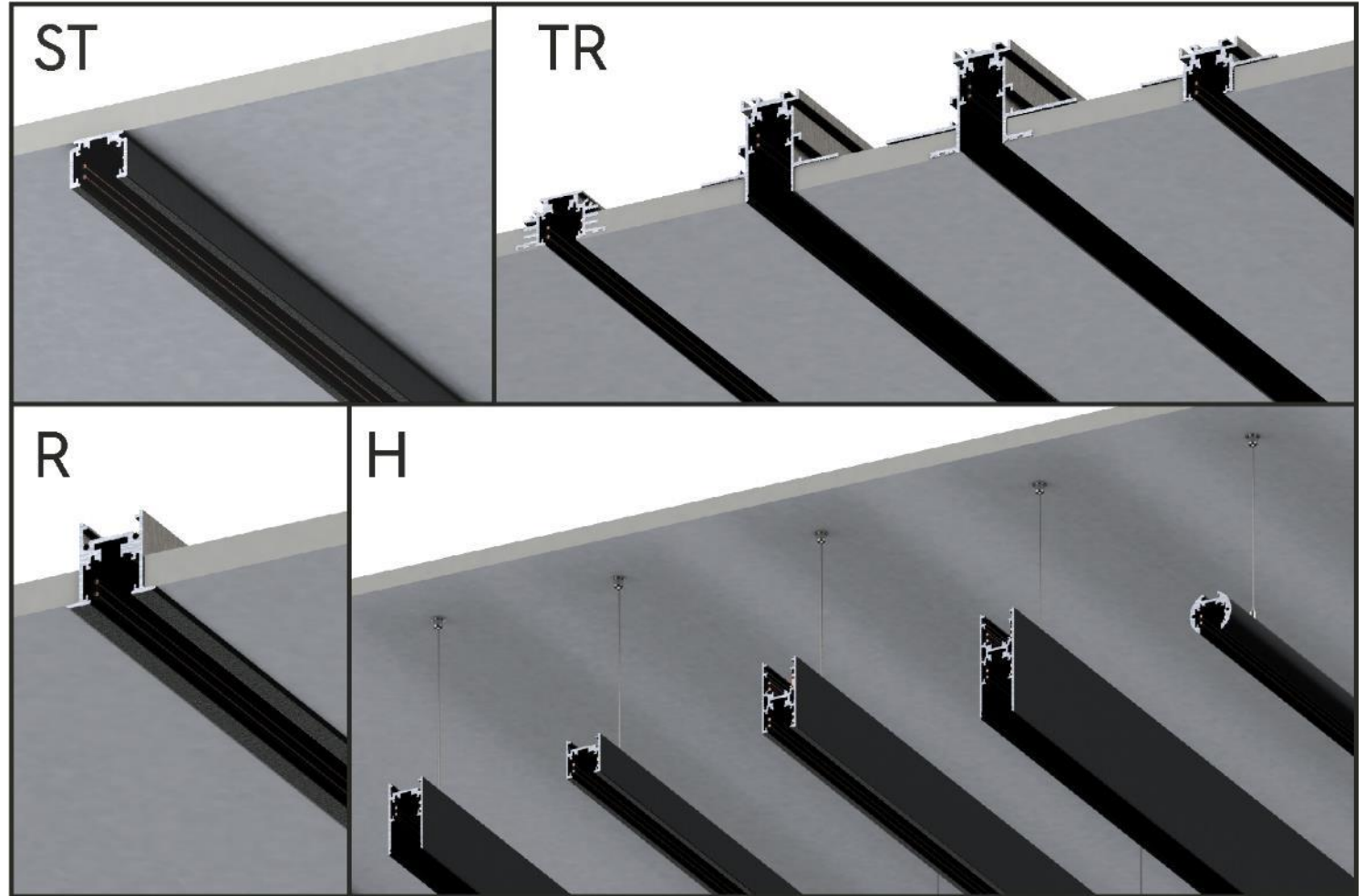
B (nero/black) --- ST10

MULTISYSTEM® EVO 60V dc

## SAME CORE MULTIPLE SHAPES



**CUSTOM PROFILES  
TO BE DEVELOPED  
AS PER CLIENTS  
REQUESTS**



Single spot short adapter



Max 1Kg

Single spot adapter



Max 1Kg

Mechanical adapter



Max 2Kg

Double spot adapter



Max 1Kg

# LIGHT INSIDE MULTISYSTEM



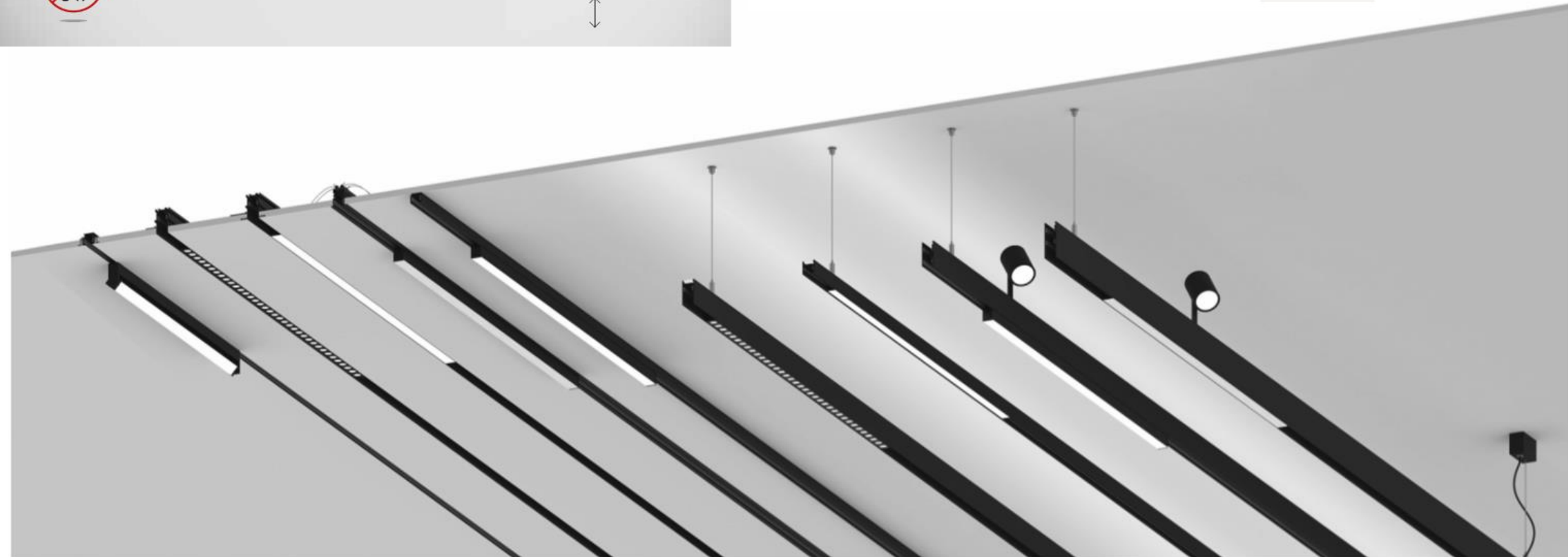
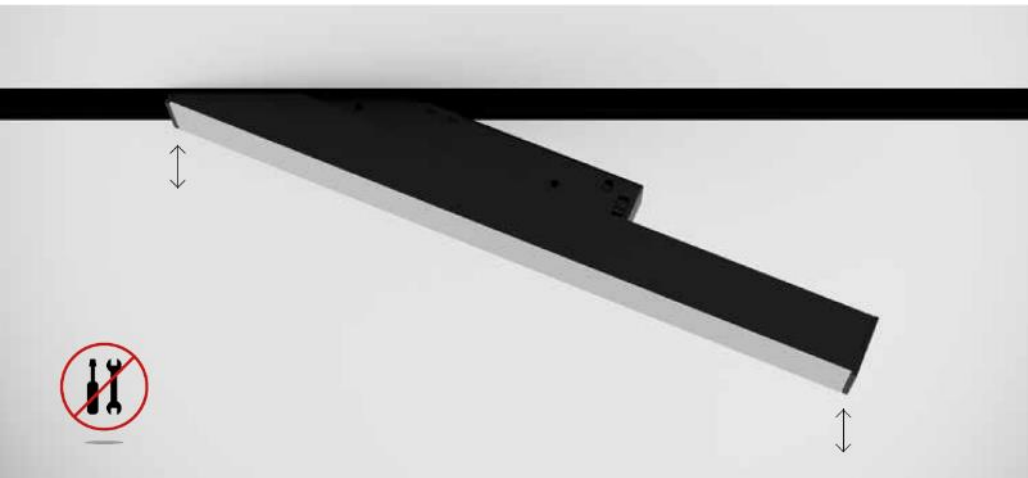


# LIGHT INSIDE MULTISYSTEM SENZAFINE

SENZAFINE is A.A.G. Stucchi system with all what you need to make an “endless light line” possible inside **MULTYSYSTEM** and **MULTYSYSTEM EVO** tracks. The system is provided in light modules with various lengths, that match perfectly one to another thus avoiding any visible junction of light. The different available opal, UGR<19 or with lenses optics, together with the various colour temperatures guarantee a wide choice and the maximum freedom in your lighting projects. SENZAFINE is available in **ADJUSTABLE** and **TWIST** version.



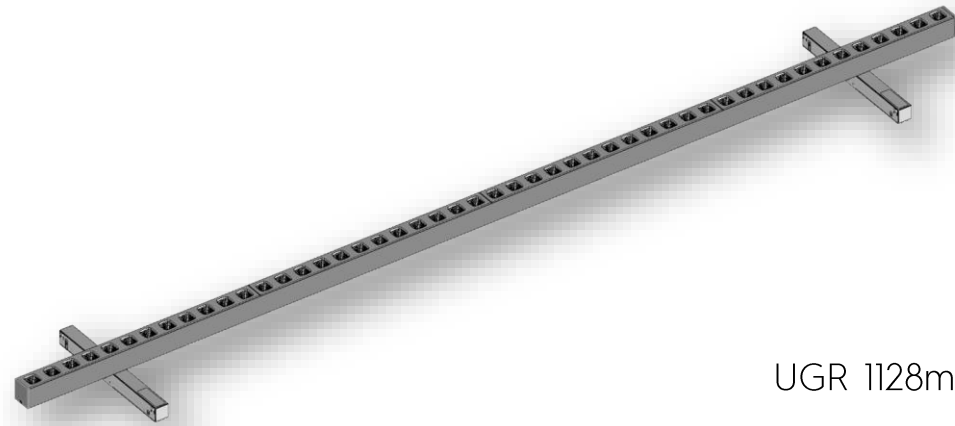
# LIGHT INSIDE MULTISYSTEM SENZAFINE + SENZAFINE ADJUSTABLE



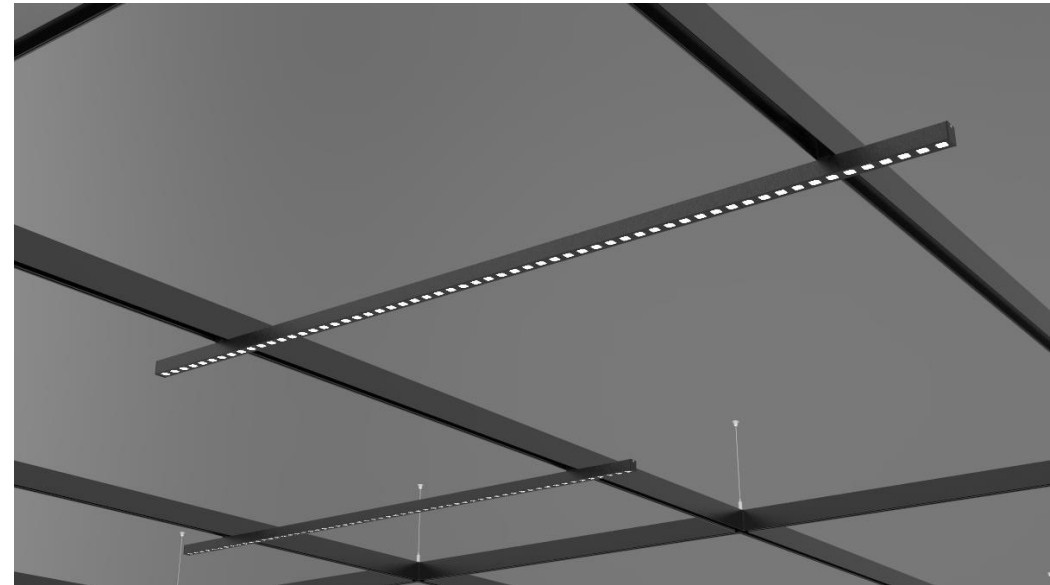
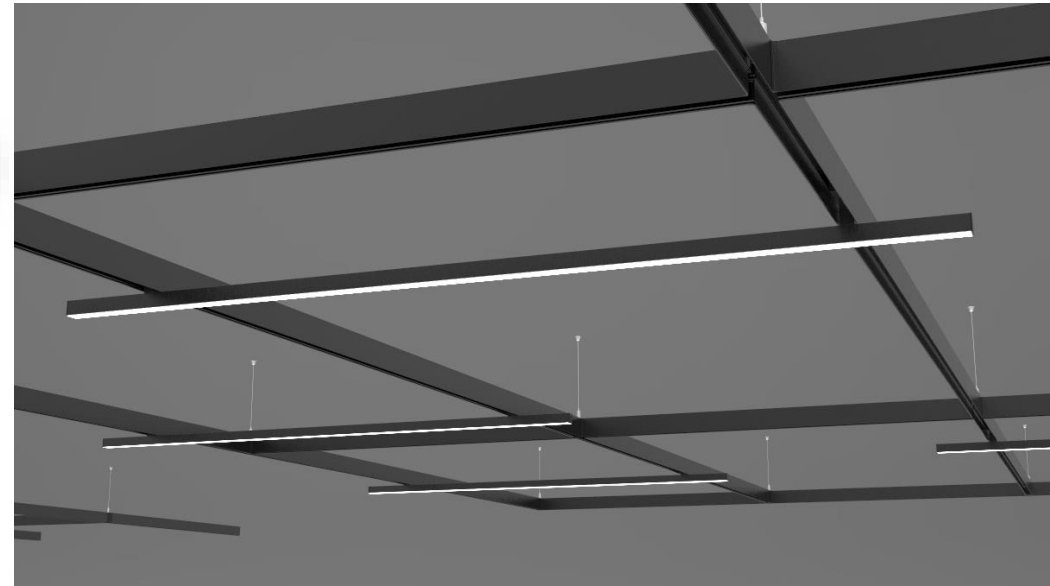
# MULTISYSTEM CROSS SENZAFINE

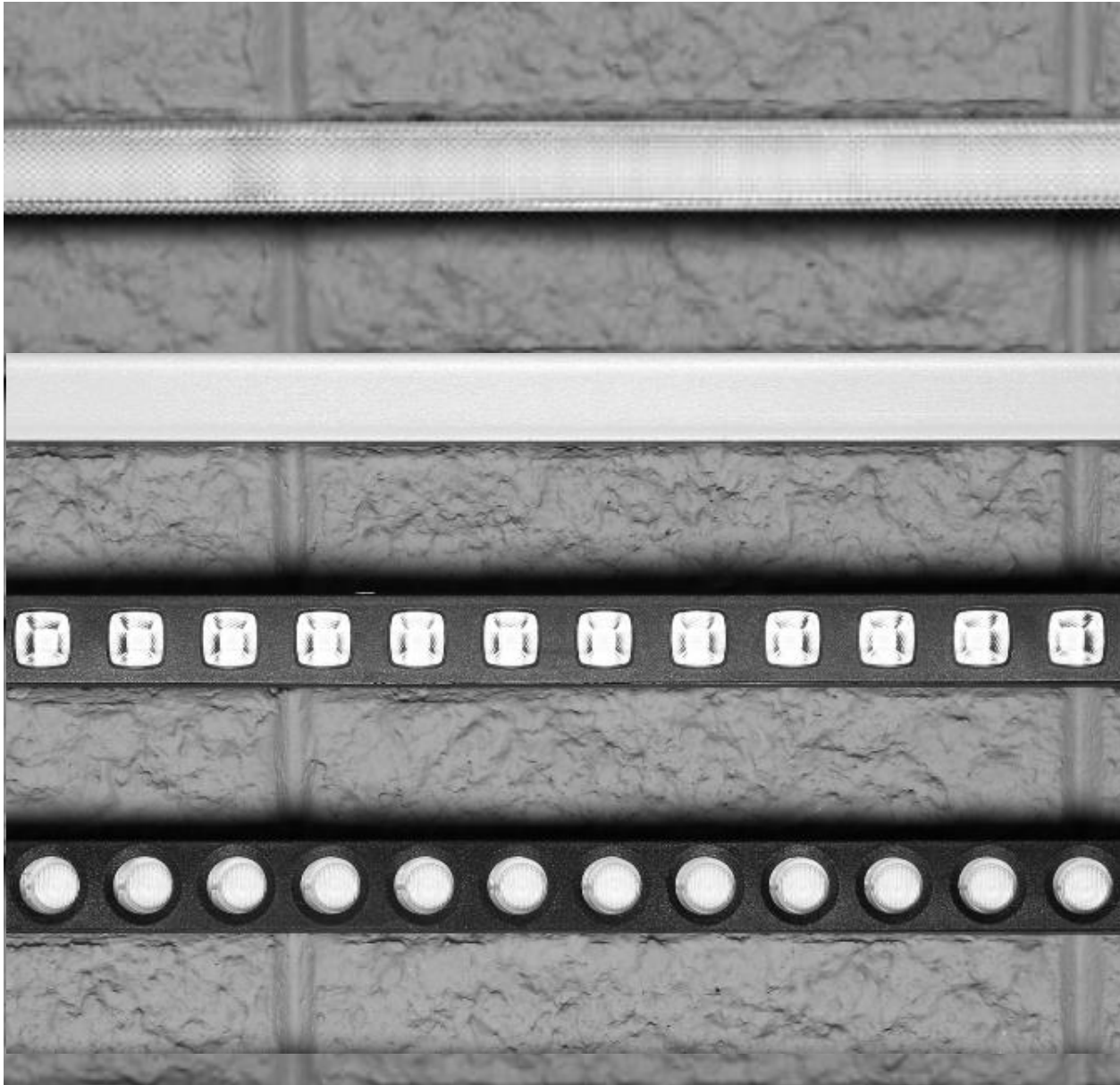


Opal 1128mm-1408mm



UGR 1128mm





MICROPRISMATIC

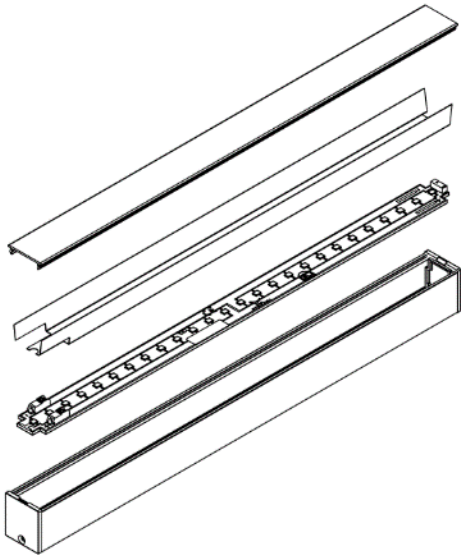
OPAL

UGR<19

LENS 20°-30° - 26°X42°

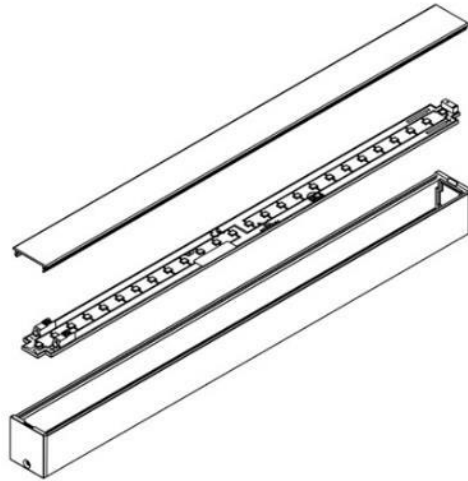
# LIGHT INSIDE MULTISYSTEM SCREENS & OPTICS

## OPAL



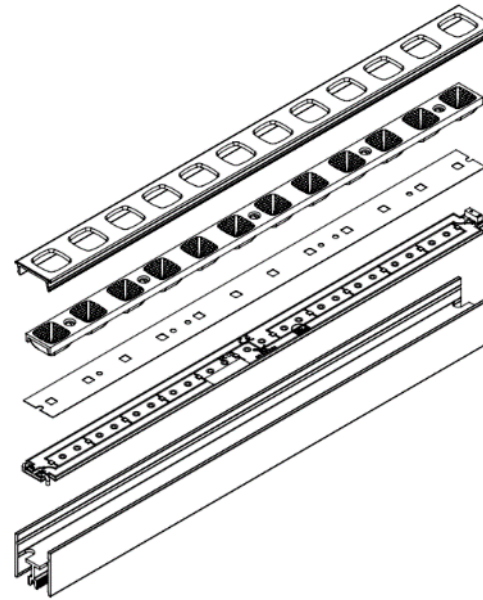
Real flux 3000K CRI>90:  
1782lm/m-LOR 66%

## MICROPRISMATIC



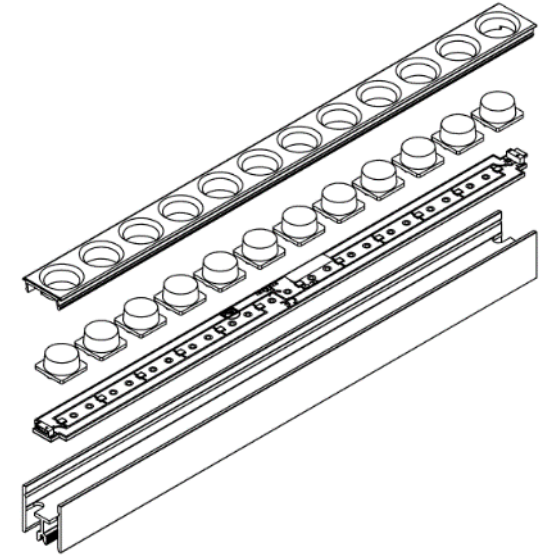
Real flux 3000K CRI>90:  
1200lm/m-LOR 47%

## UGR<19/HO/Plus



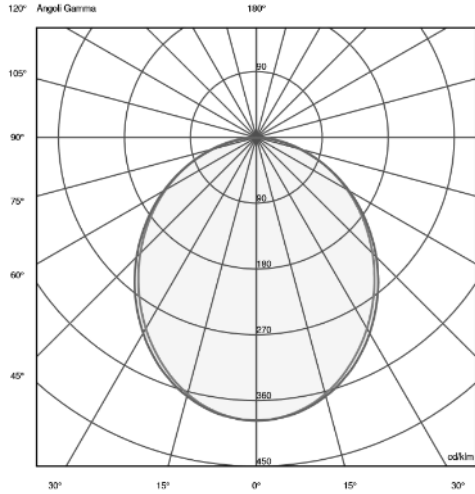
Real flux 3000K CRI>90:  
1630lm/m-LOR 88%  
1081lm/module (HO)

## LENS (20°-30°-26°x42°)

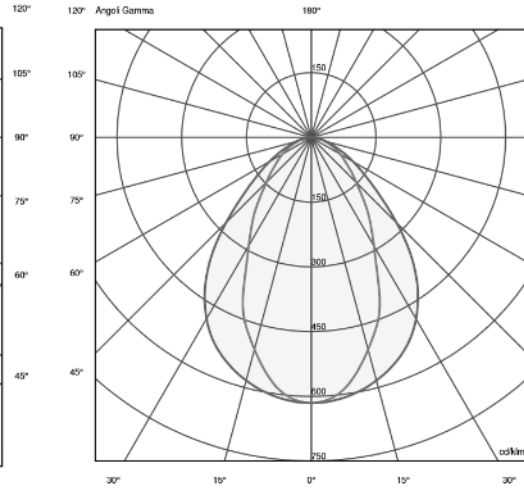


Real flux 3000K 30° CRI>90:  
1675lm/m-LOR 89% (20°)  
1680lm/m-LOR 91% (30°)  
1480lm/m-LOR 80% (26°x42°)

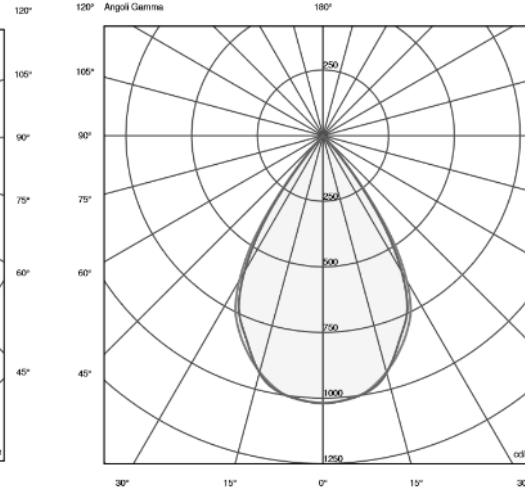
**OPAL**



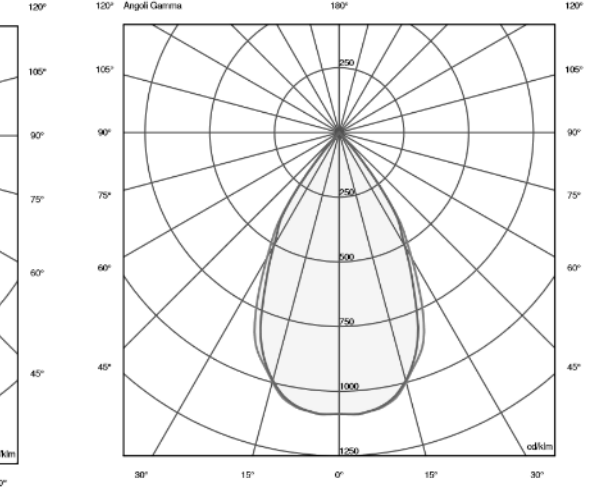
**MICRO UGR<25**



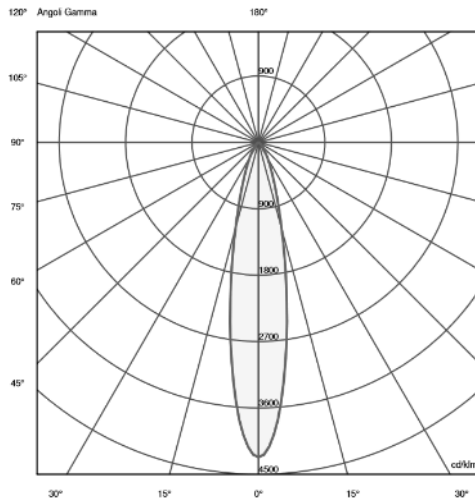
**UGR<19**



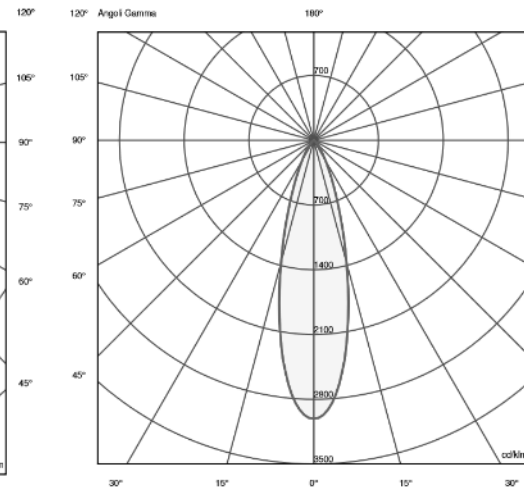
**UGR<19 High Output/Plus**



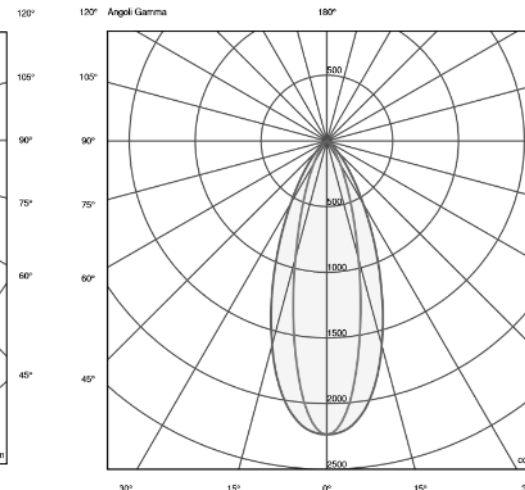
**LENS 20°**



**LENS 30°**



**LENS 26°x42°**



LED CREE CRI>90  
SENZAFINE  
OPAL/MICROPRISMATICO/UGR/LENS  
**LIFETIME >50Khr L90B5**

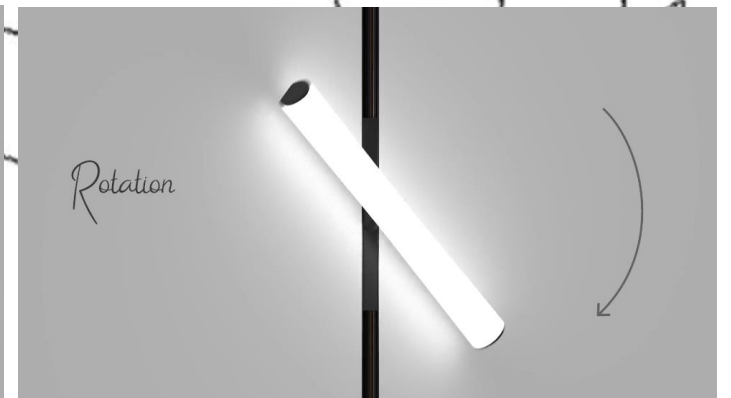
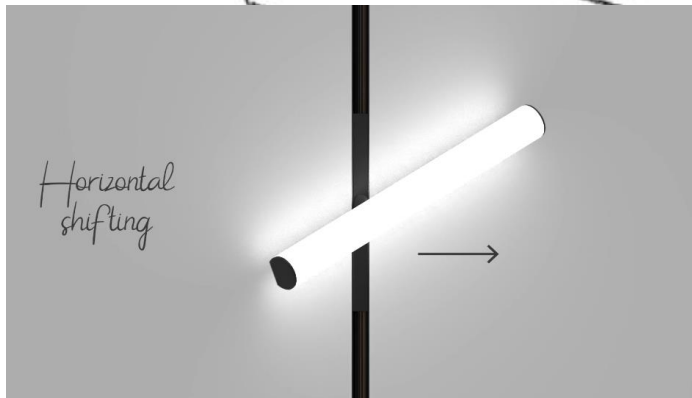
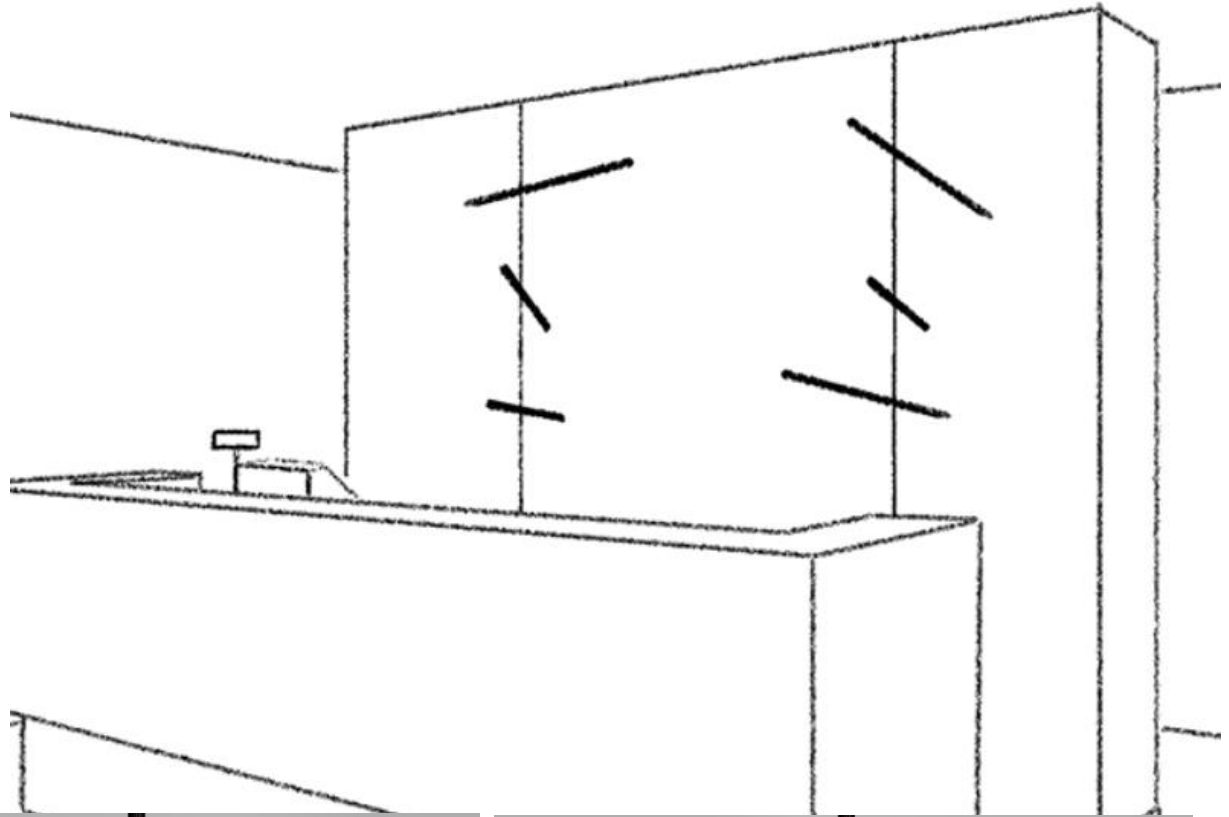
LED NICHIA CRI>95 R9-80  
SENZAFINE UGR/LENS  
**LIFETIME >50Khr L90B10**

LED NICHIA CRI>90 R9-80  
SENZAFINE UGR HIGH OUTPUT  
**LIFETIME >60Khr L90B10**

# LIGHT INSIDE MULTISYSTEM SENZAFINE TWIST



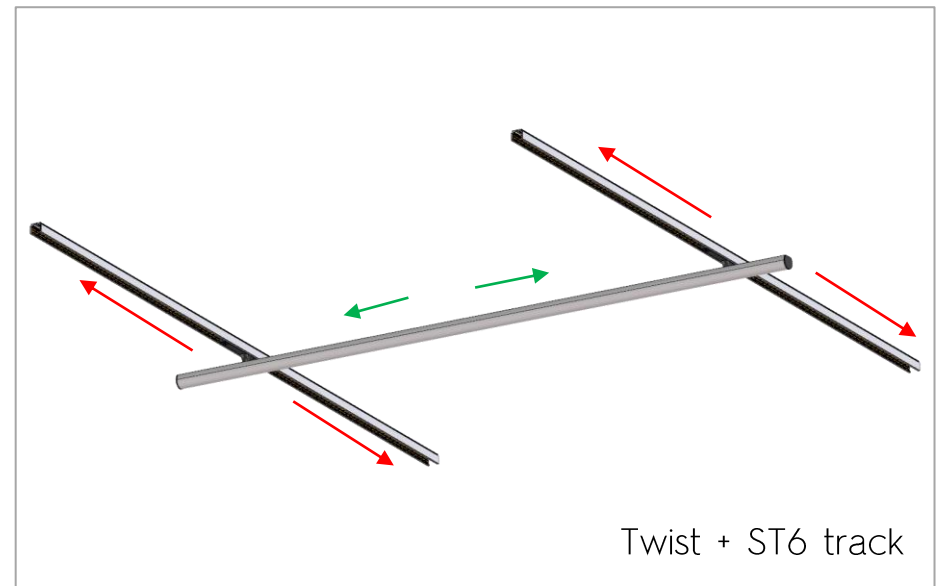
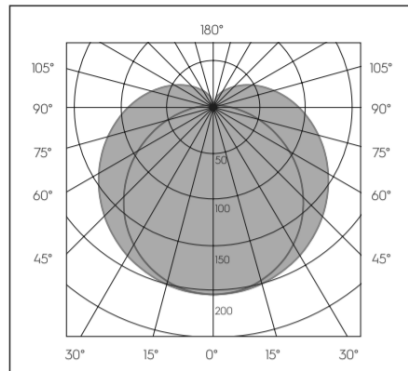
295mm-575mm



# LIGHT INSIDE MULTISYSTEM SENZAFINE TWIST WITH 2 ADAPTERS



1135mm-1415mm





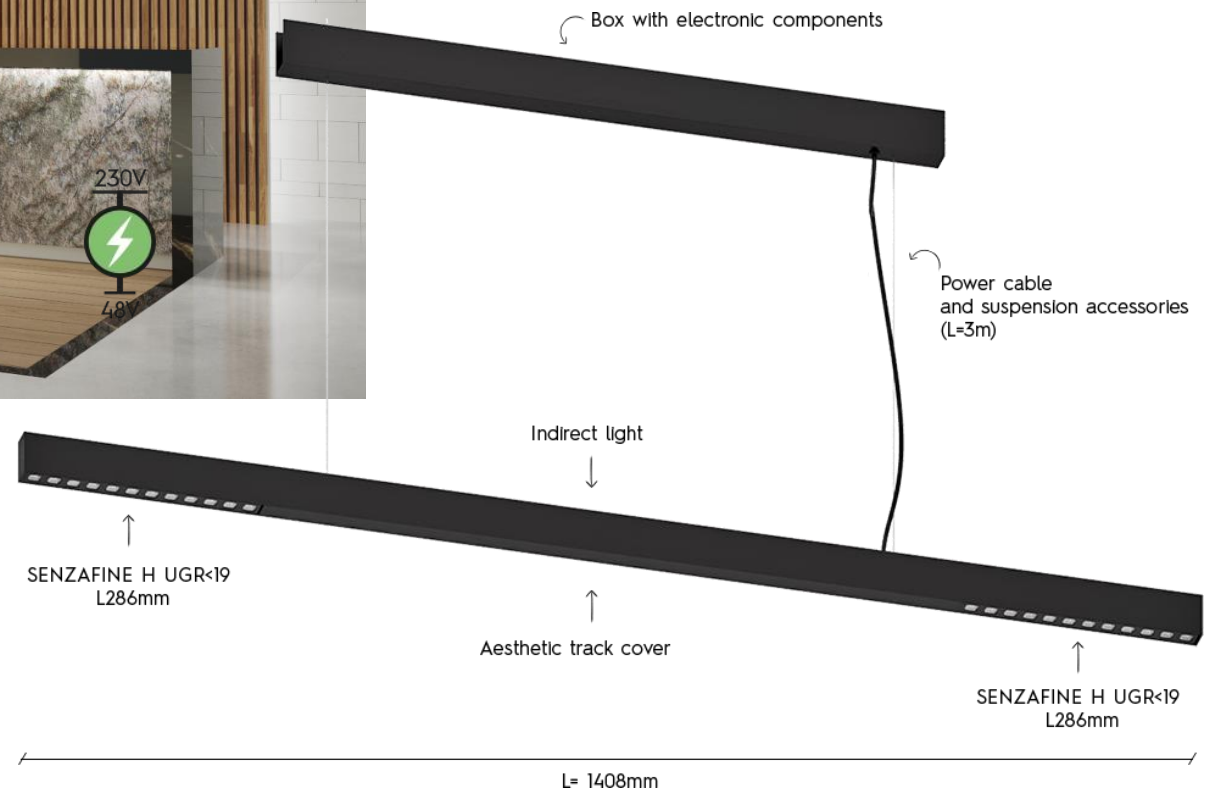
# LIGHT INSIDE MULTISYSTEM MULTISYSTEM READY

The next logical step was the development of the **MULTISYSTEM READY** product range. Ready to use solutions based on **MULTISYSTEM®** tracks meant for different uses and applications with integrated direct and/or indirect light; easy to install and always flexible thanks to track infrastructure.

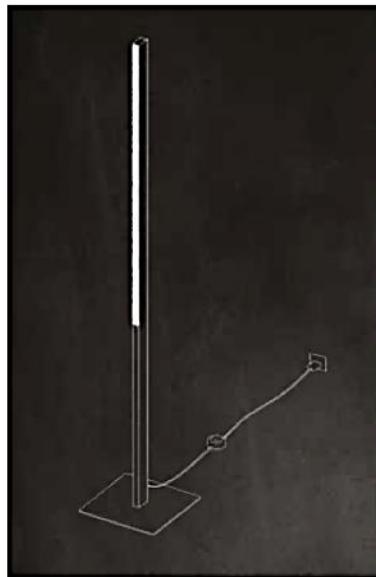
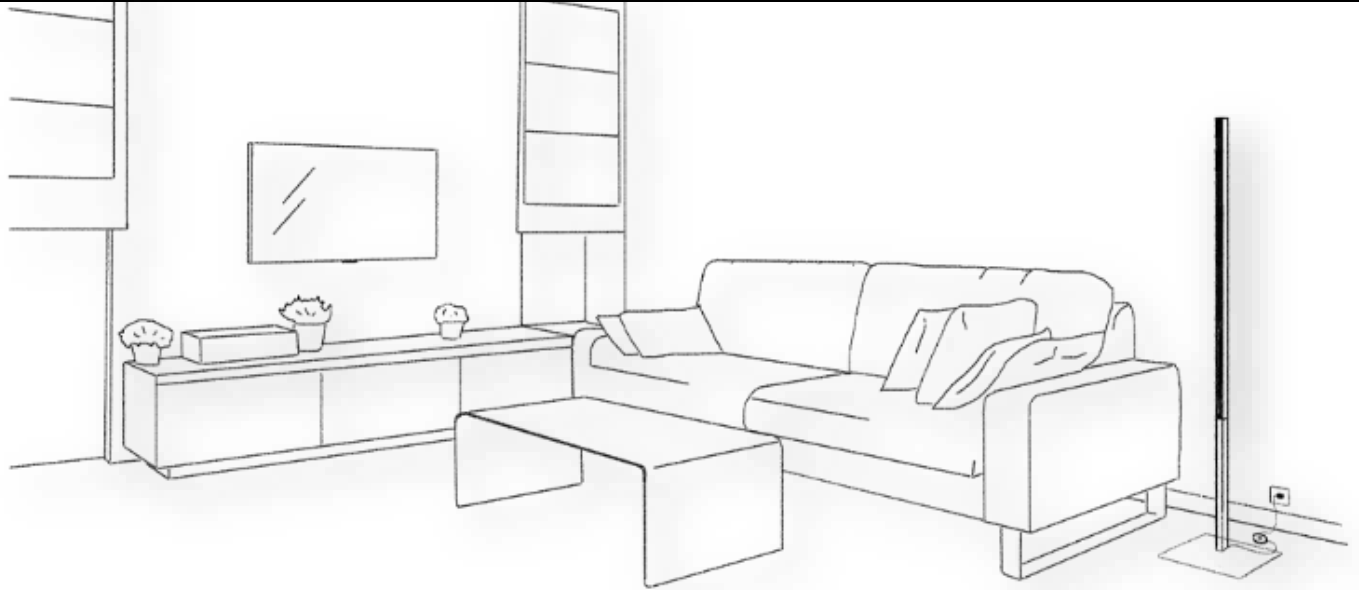


# MULTISYSTEM READY

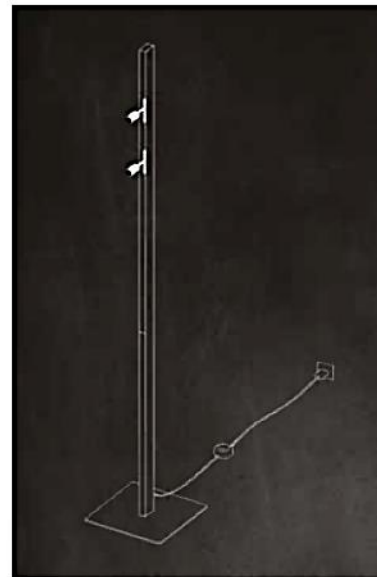
## L26R – bi emission suspension with box driver



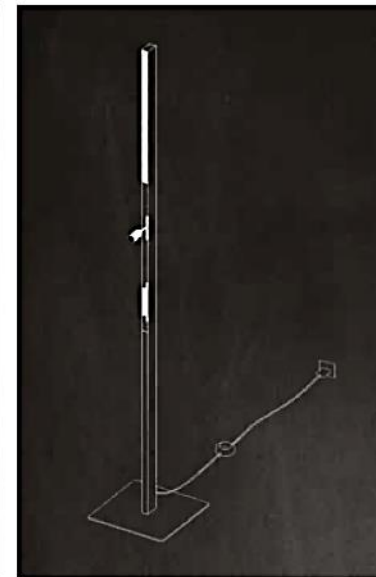
# MULTISYSTEM READY P26 track/floor



P26 + M22 Opal 1125mm



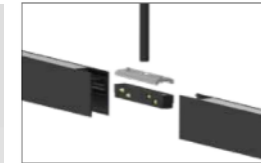
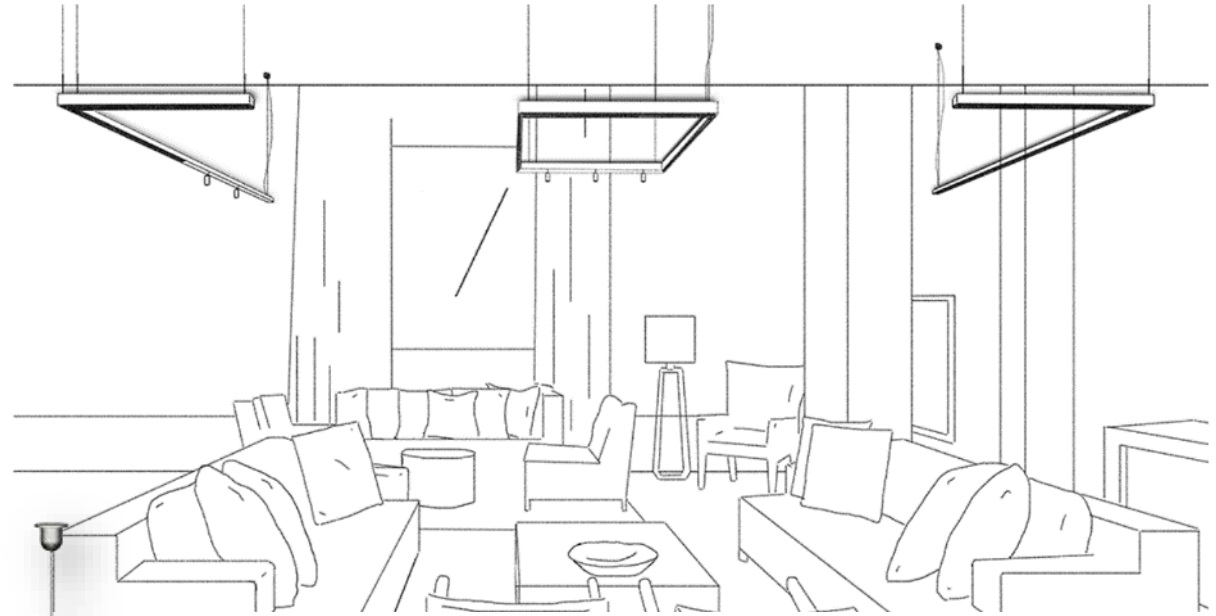
P26 + Spotlights



P26 + M22 Opal 567mm + Spotlight + BLE Control

← Composition ideas

# MULTISYSTEM READY H26 bi-emission track system



Accessories for row or square composition.



**MULTISYSTEM**  
A complete system

# A.A.G. PRODUCTS FAMILIES



LED LIGHTING COMPONENTS



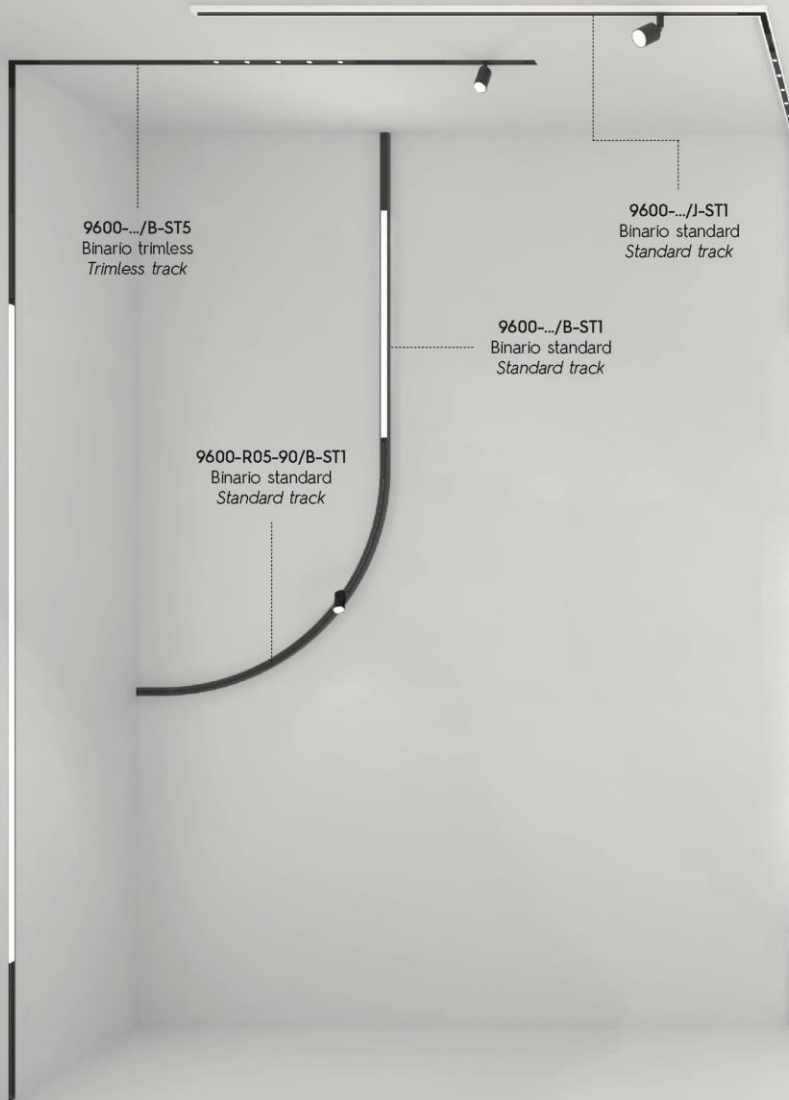
ONETRACK  
FOR ALL YOUR LIGHTING IDEAS



MULTISYSTEM EVO  
AN EVOLUTION TO SIMPLICITY



**MICRO**  
WHEN SMALL MATTERS



**9600-.../B-ST15**  
Binario a doppia emissione  
Double emission track



**9600-.../B-ST6**  
Binario a doppia emissione  
Double emission track



**CODICI PRODOTTO**  
PRODUCT CODES

		W2 (bianco/white)	}	-	ST1
		B (nero/black)			
		J (bianco-nero/ white-black)	}	-	ST6 ST15
		W2 (bianco/white)			
		B (nero/black)			
		B (nero/black)			ST5

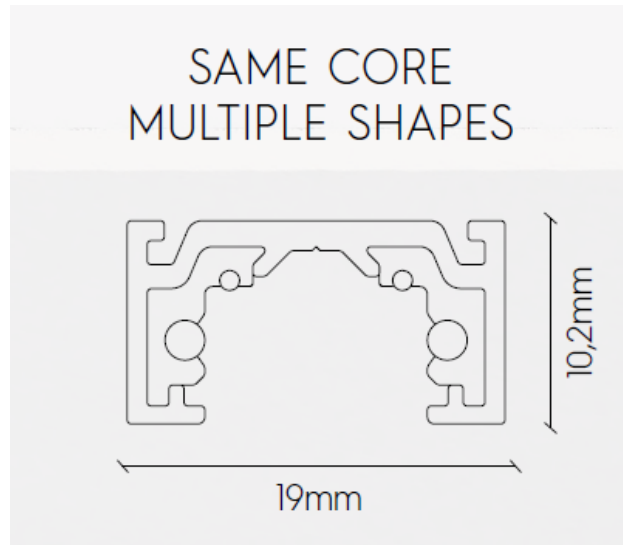
9600	-	[ 1 (m) ]	/	[ W2 (bianco/white) ]	-	ST6
		[ 2 (m) ]		[ B (nero/black) ]		ST15
		[ 3 (m) ]				



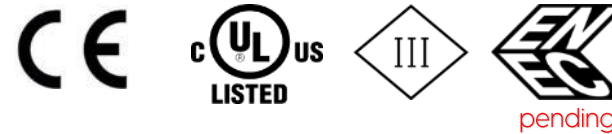


# MICRO

## when small matters



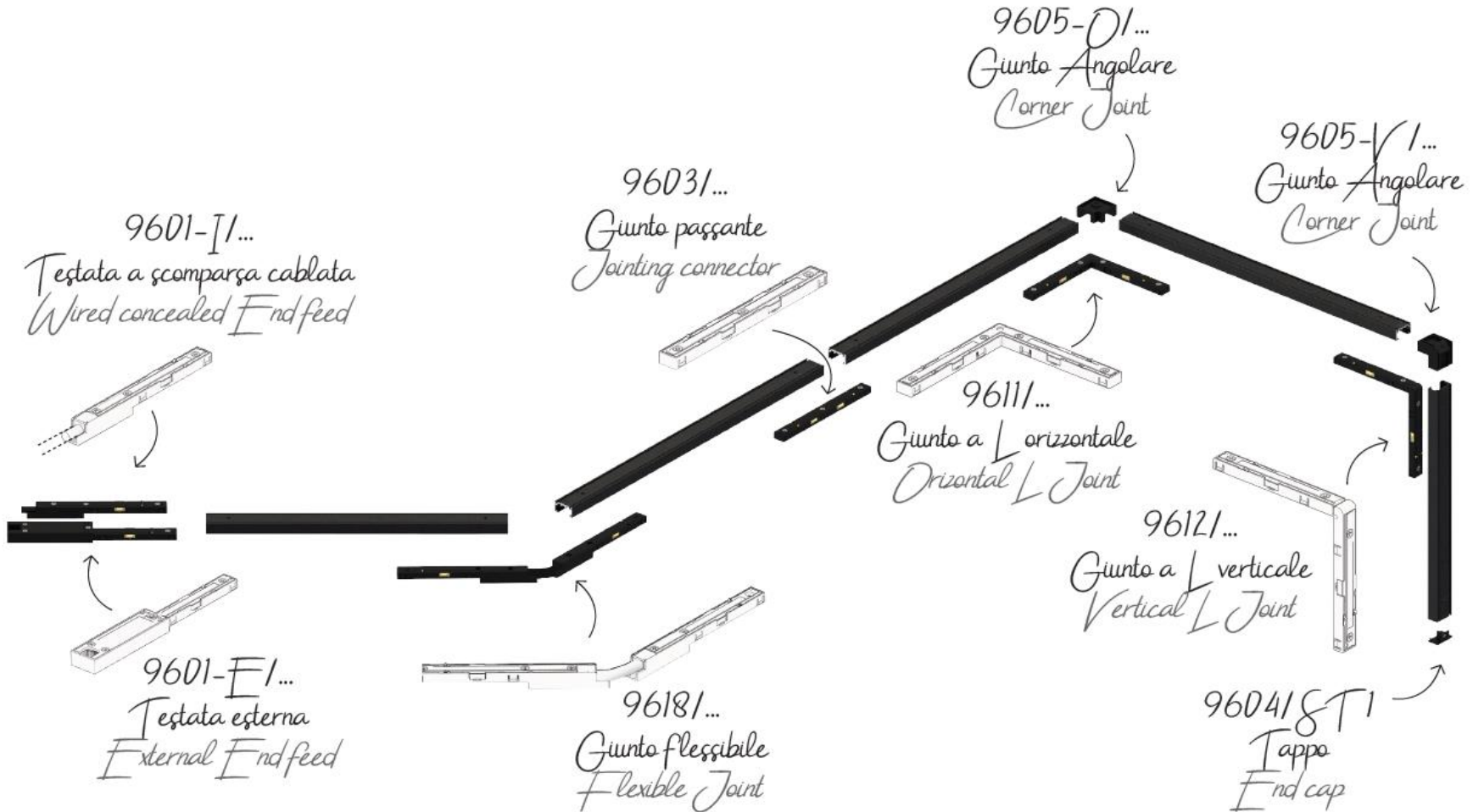
60V max 10A max 48-24V



MICRO is the new A.A.G. Stucchi low-voltage product family born to meet the market's need of component and structure **miniaturization**. A great focus has been placed on the **dimensions**, that are **greatly reduced**. Resulting in a product that can make a difference in lighting projects where aesthetics and attention to detail are fundamental.

MICRO range offers different track profiles to give the maximum flexibility to lighting projects. All the tracks have the same "**smart core**" with integrated **DATABUS** for light control, that makes it technically at the cutting edge.

# MICRO a complete solution



# NEW COLOR TRACK 9600-.../B-ST1



# NEW COLOR TRACK 9600-.../J-ST1



OUTSIDE:  
WHITE COLOR

INSIDE: BLACK  
COLOR



# MICRO adapter 9619

The adapter 9619/... is meant for insertion of drivers with custom A.A.G. Stucchi contacts integrated on it.



### Single spot adapter



Max 500g

### Double spot adapter



Max 500g

### Mechanical spot adapter



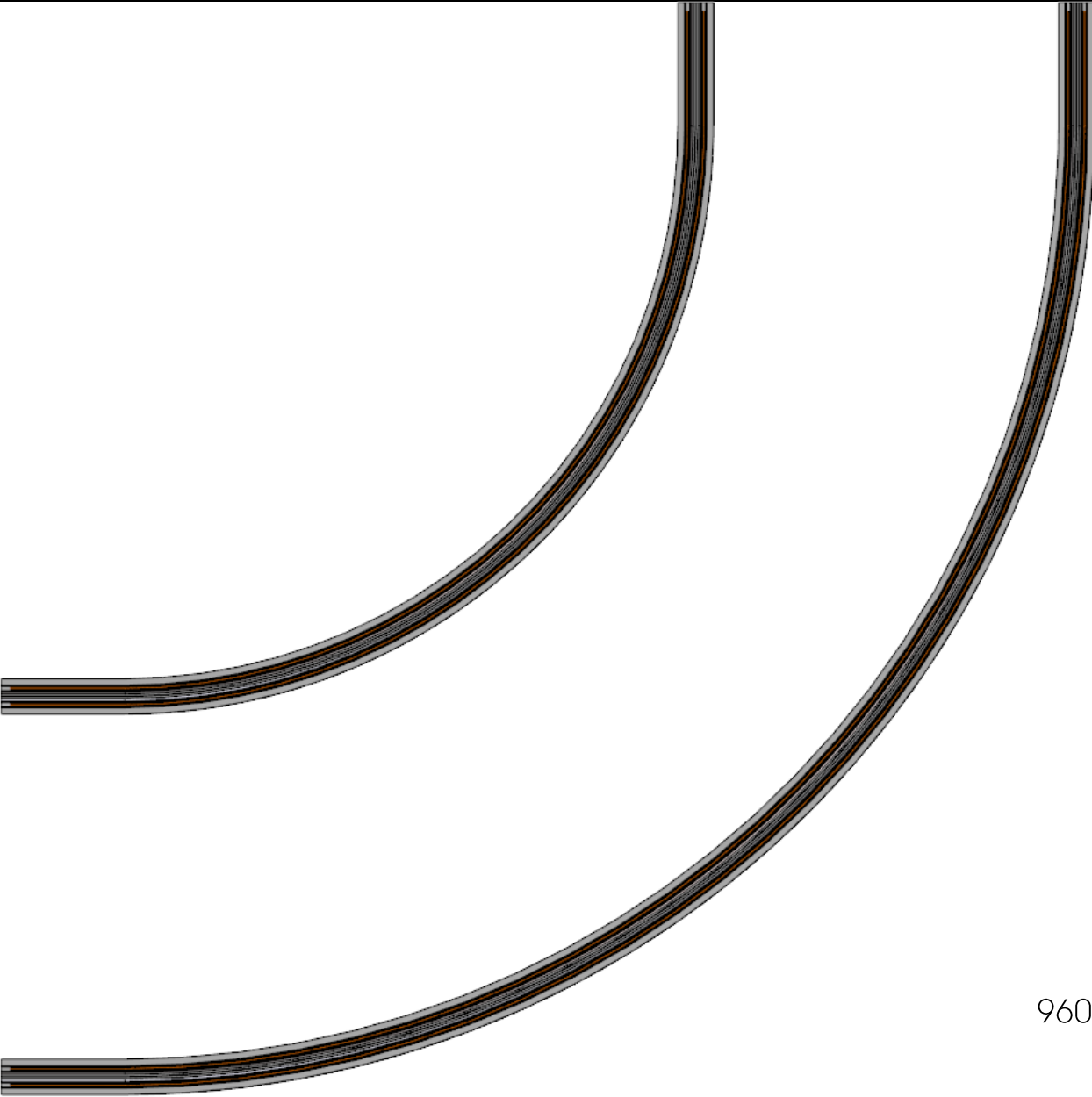
Max 1kg

### Curve spot adapter

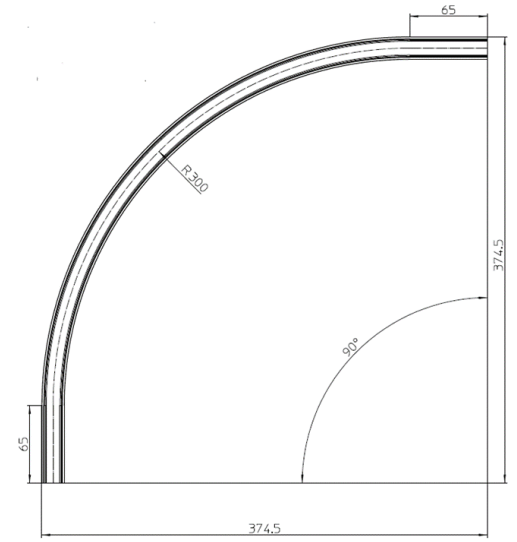


Max 1kg

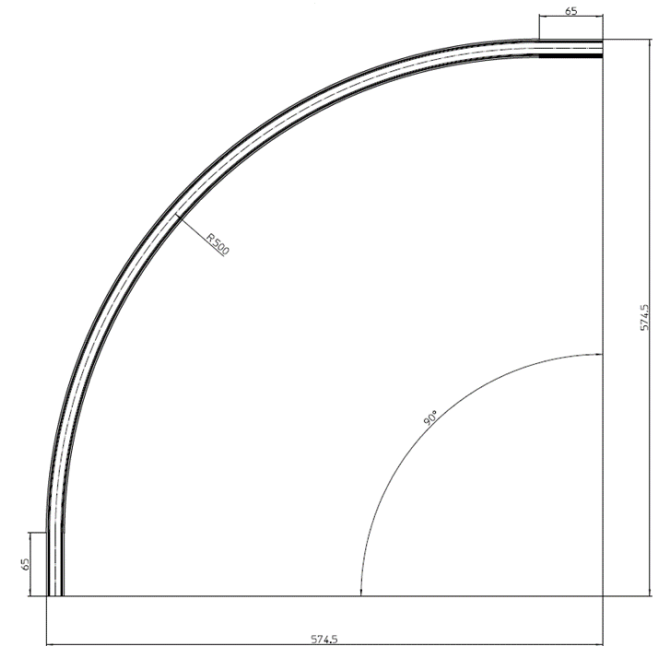
# MICRO ST1 curve (300-500mm)



9600-R03-90/\_-ST1



9600-R05-90/\_-ST1



# MICRO box driver 9600/P-100A

Box Driver + STI track



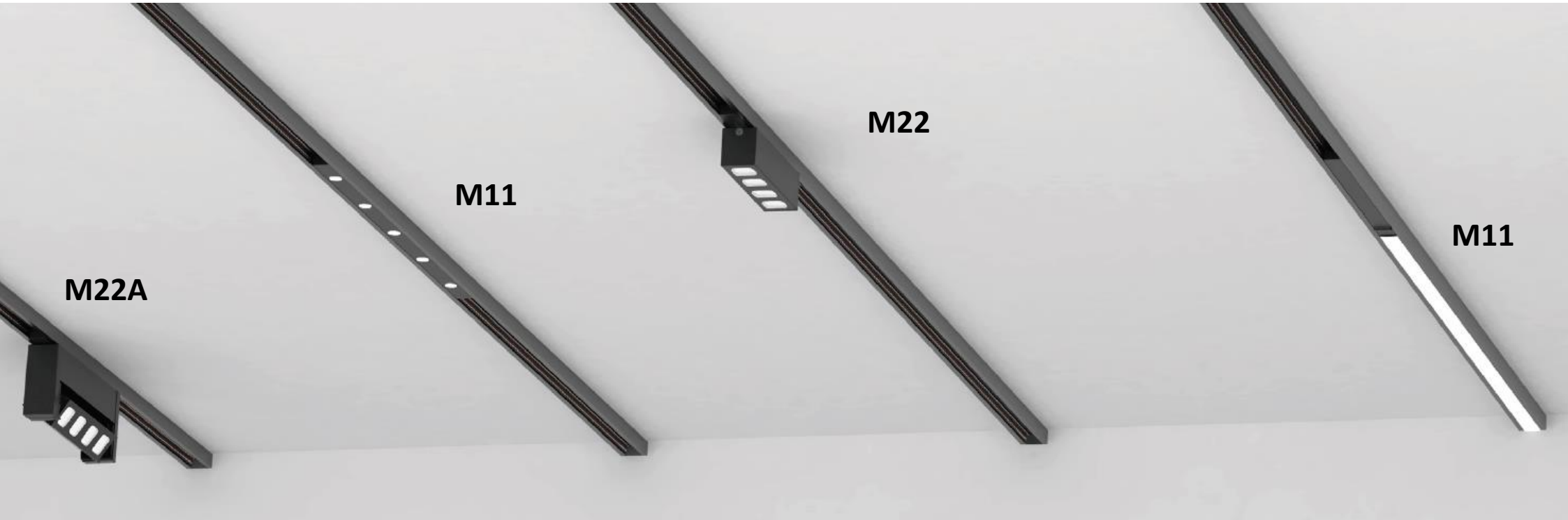
Driver 100W  
230Vac/48Vdc SELV



# LIGHT INSIDE MICRO

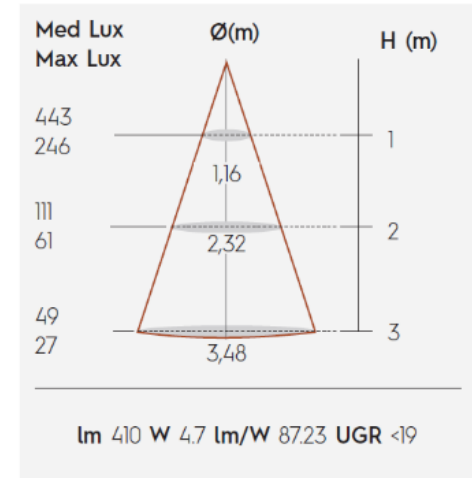
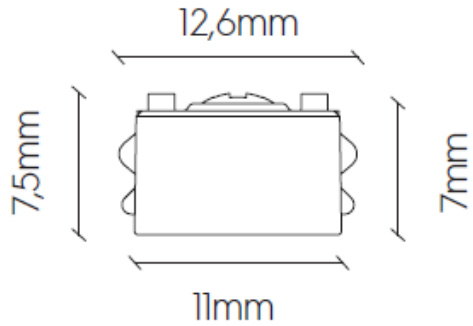


# LIGHT INSIDE MICRO

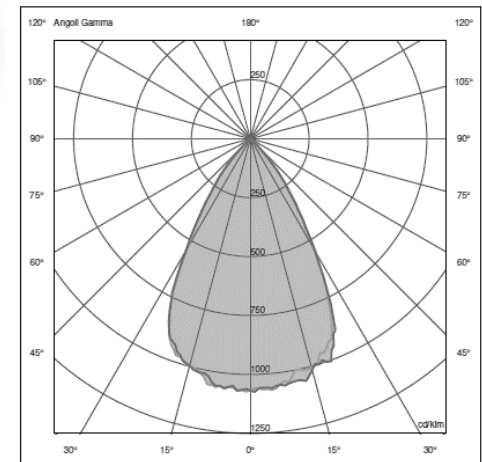


# MICRO FLAT

## Senzafine FLAT UGR<19 M11 - **COMING SOON (Q3)**

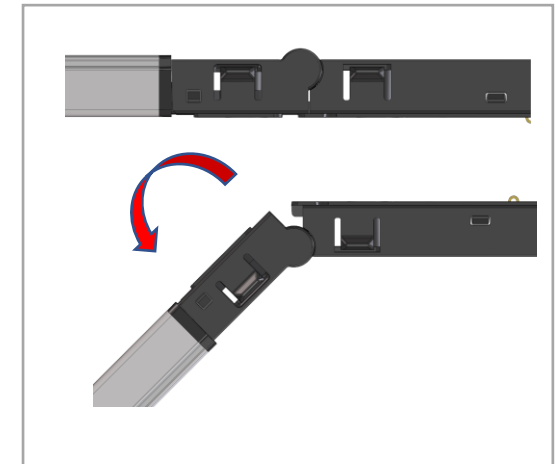


300mm  
 Tc: 3000K  
 Real flux: 410lm  
 Power: 4,7W  
 CRI>=90

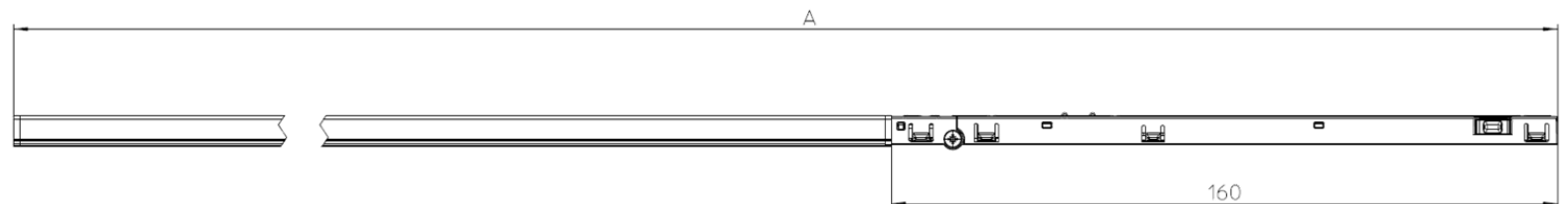


# MICRO FLAT

## Senzafine FLAT Opal M11 - **COMING SOON (Q4)**

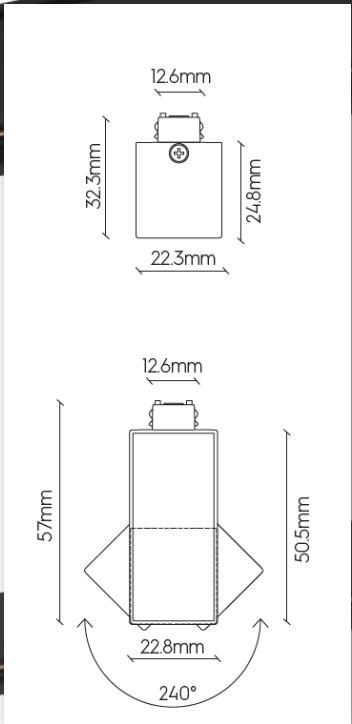


670mm - 1 LED module  
1170mm - 2 LED modules  
1670mm - 3 LED modules



# MICRO

## Senzafine M22-M22A - **COMING SOON (Q4)**



# MICRO ST15 – ST6 down + inside opal screen



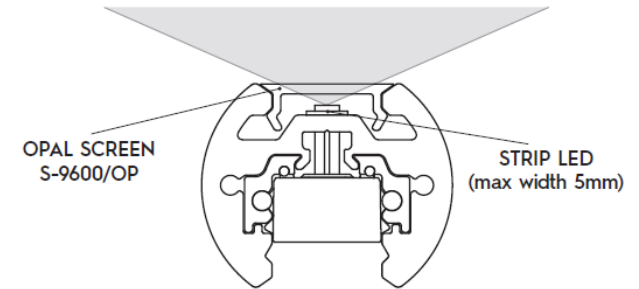
# MICRO ST15 – ST6 down + inside opal screen + spot



# MICRO ST15 – ST6 up&down + opal S-9600/OP

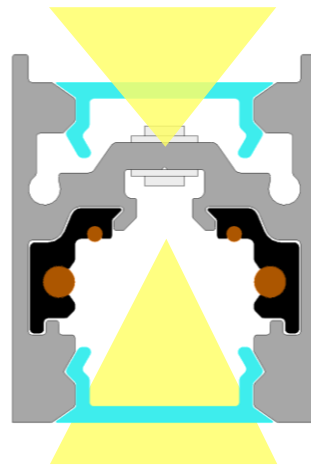
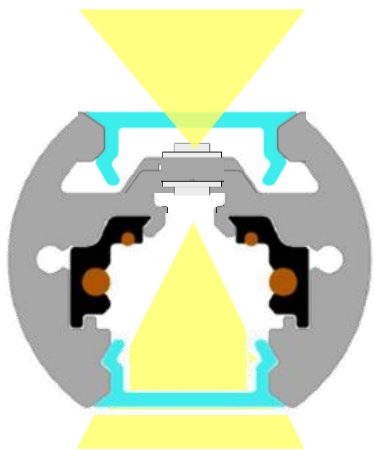
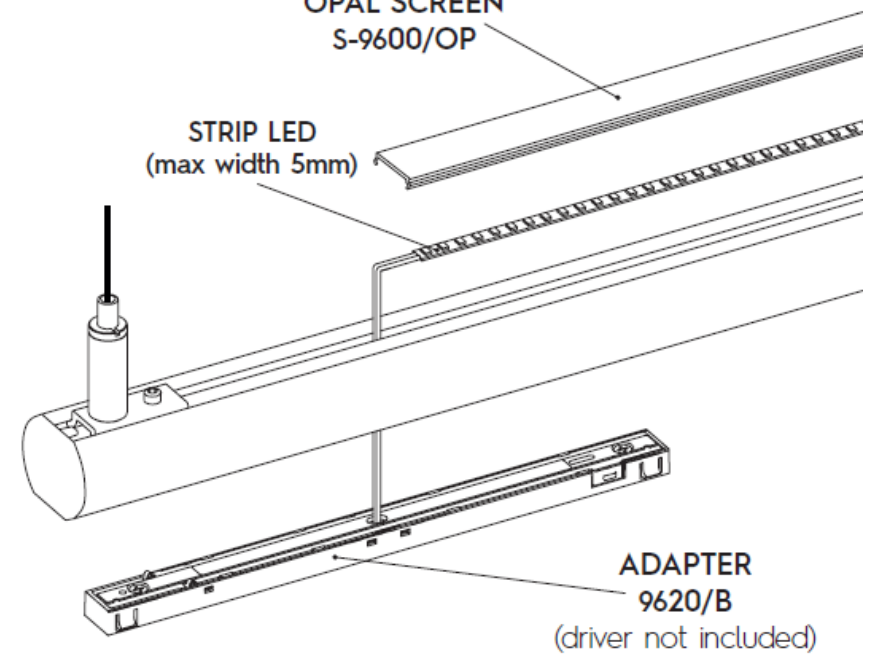


UP LIGHT



OPAL SCREEN S-9600/OP

STRIP LED (max width 5mm)



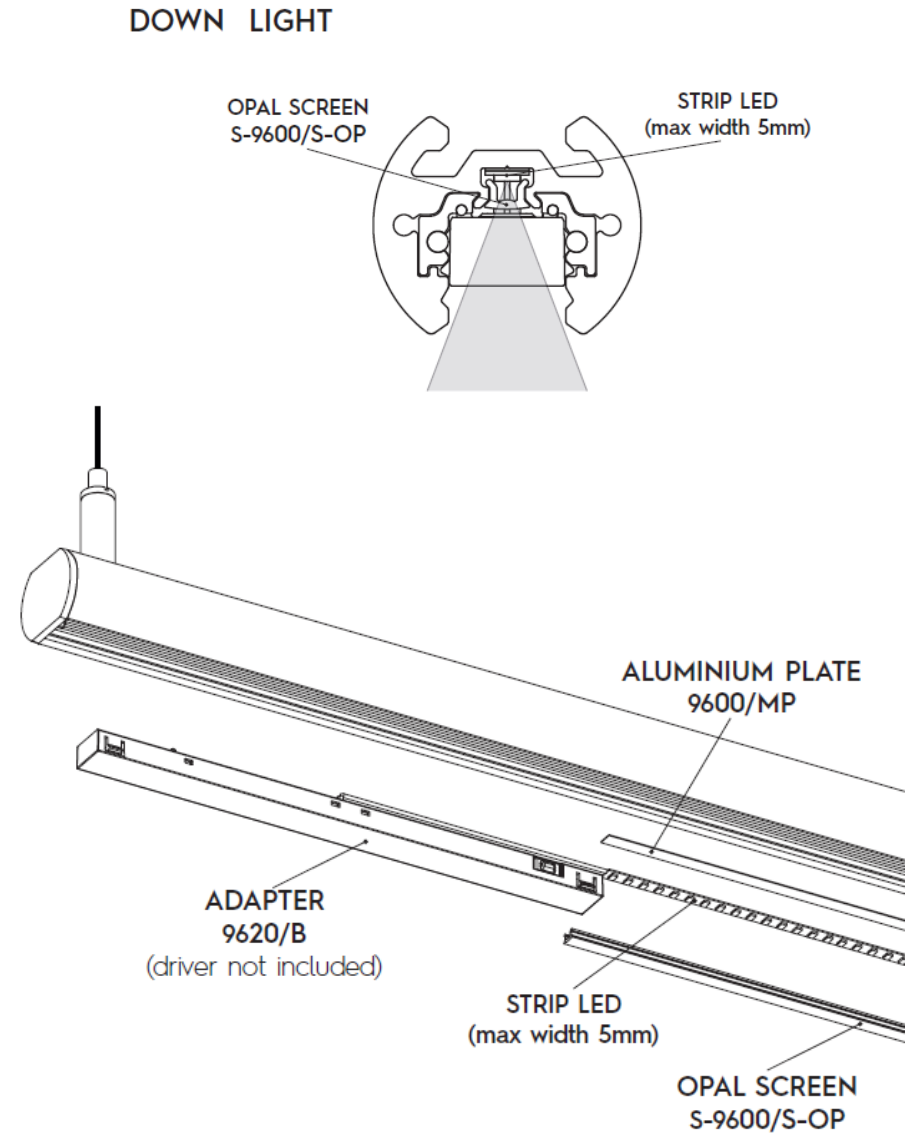


# MICRO

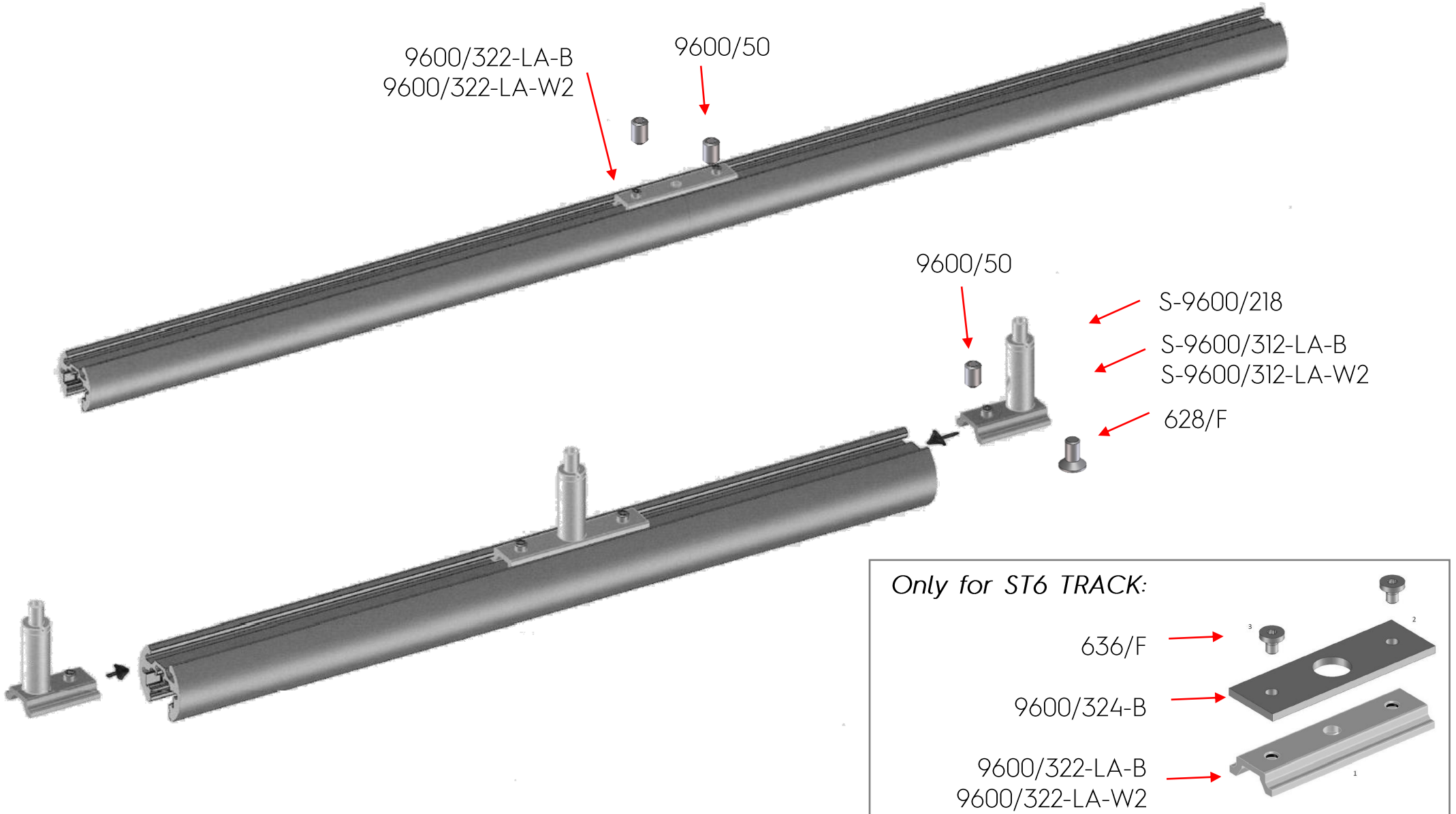
## ST15 – ST6 down + inside opal screen



Bi-emission lighting fixture: round track (26mm) with strip LED up/down. Projectors for accent light in lower side can be inserted on top of down led strip.



# MICRO accessories

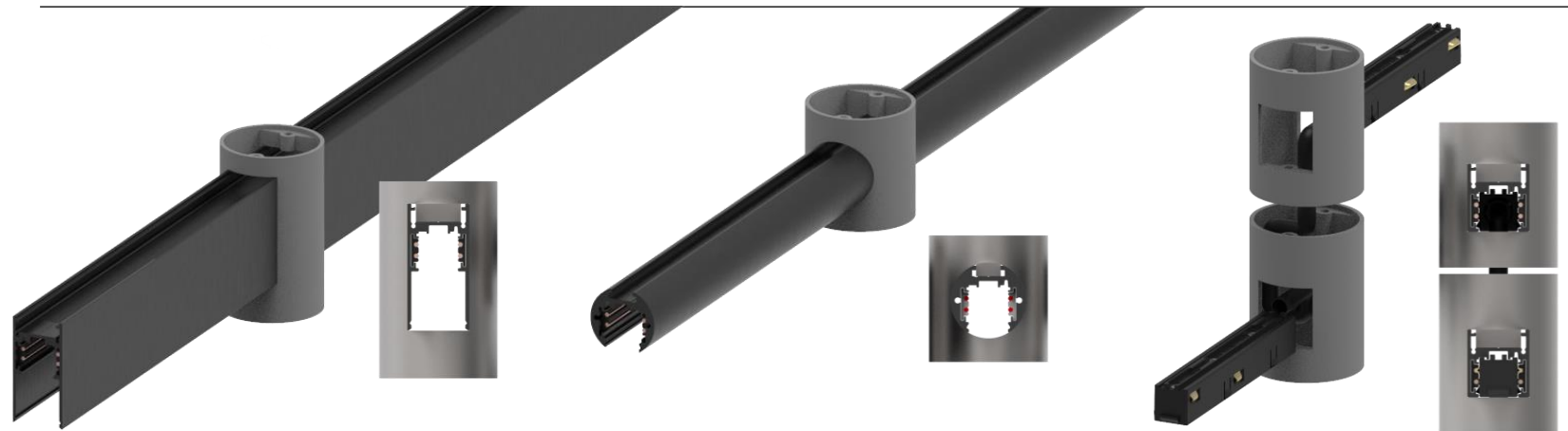


# Work in progress MICRO&MULTISYSTEM KOM-PO - lighting structure

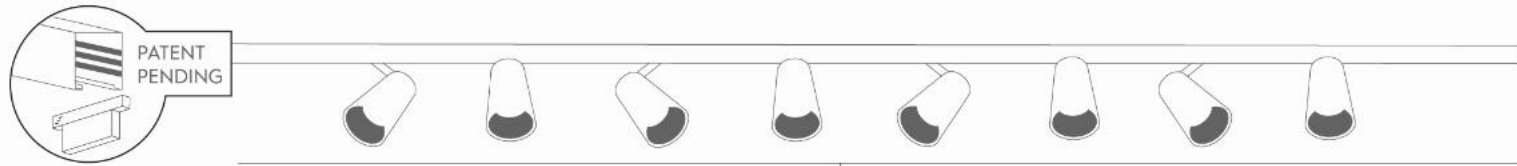
Joint system for  
Micro Tracks



Joint system for Multisystem Tracks



# PROGRAMMING OF LIGHTING FIXTURES



## PROGRAMMAZIONE APPARECCHI DI ILLUMINAZIONE PROGRAMMING OF LIGHTING FIXTURES

MANAGEMENT



A.A.G. Stucchi  
Light Management App



Smartphone



Tablet

CONTROL



Casambi App



Smartphone



Tablet



Sync via cloud



A.A.G. Stucchi  
Light Control App



Smartphone



Tablet



FOLLOW YOUR ILLUMINATION

**THANK  
YOU.**



A.A.G.  
**STUCCHI**  
Follow your illumination